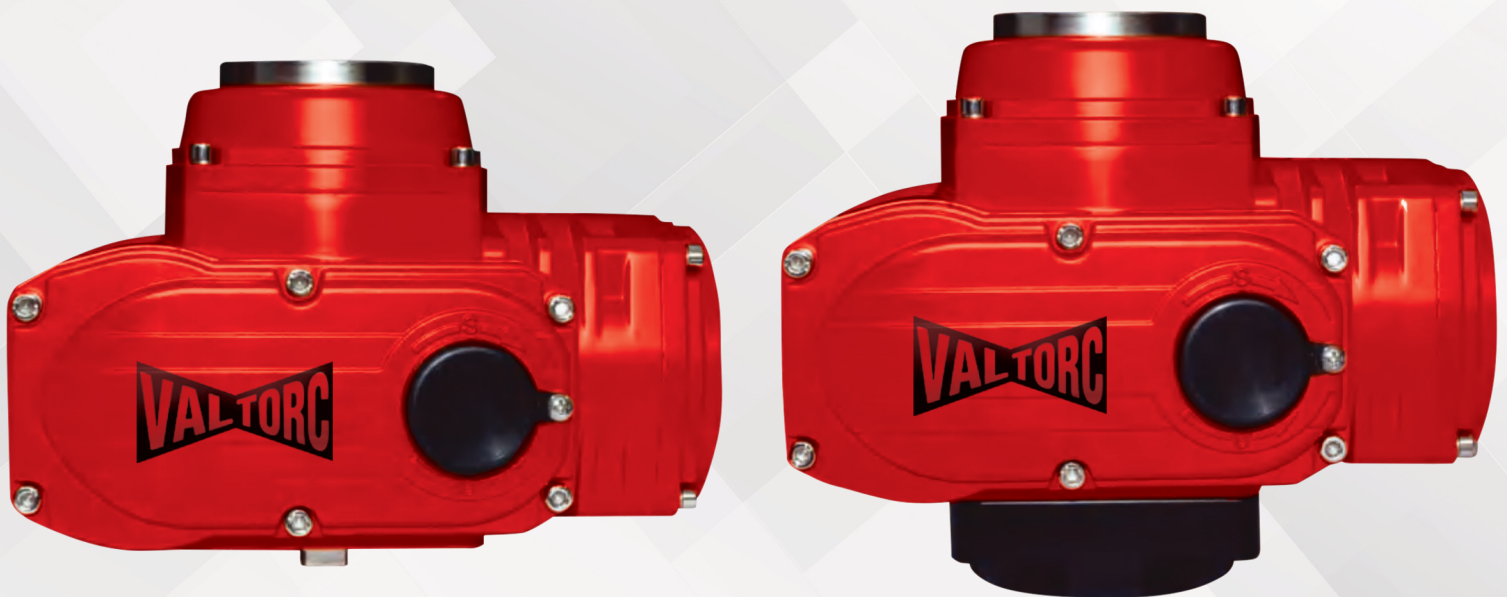




WWW.VALTORC.COM 
AJBENTAL@VALTORC.COM 
1 (866) VALTORC 

EL900-EXP SERIES

EXPLOSION PROOF ELECTRIC ACTUATORS



- ✓ Explosion Proof NEMA 7 Housing
- ✓ Massive Inventory, All Voltages Available
- ✓ Explosion Proof Exd II CT4Gb Rating
- ✓ IP68, CE, ATEX Rating

CONTACT US TODAY!

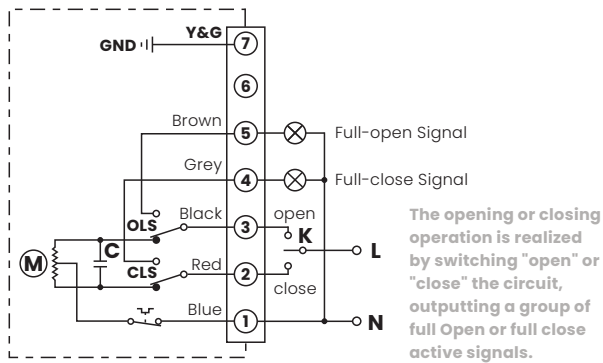
TOLL FREE: 1-866-VALTORC
LOCAL: 770-423-7100
FAX: 770-499-7483

WWW.VALTORC.COM
SALES@VALTORC.COM

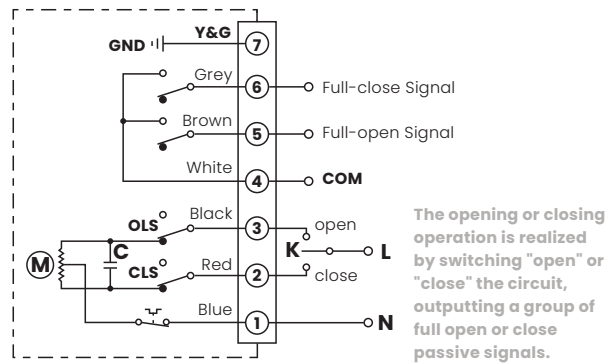
Note: The internal circuit of actuator is shown in the dotted frame. The circuit out of the dotted frame is for reference of customers.

CONTROL CIRCUIT

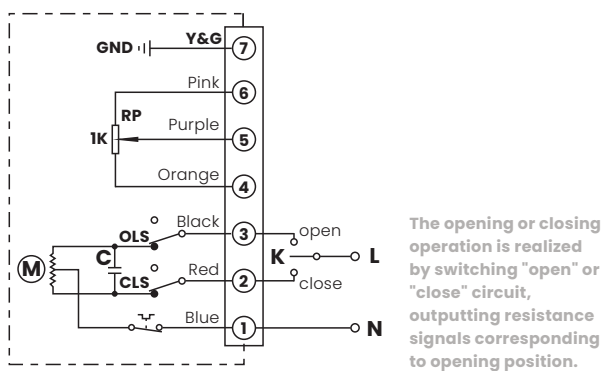
Type A: With Limit Position Switch (Active Contact)



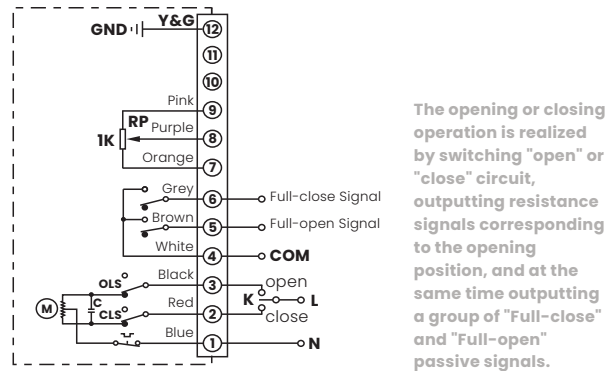
Type B: Switch with Middle Position (Passive Contact)



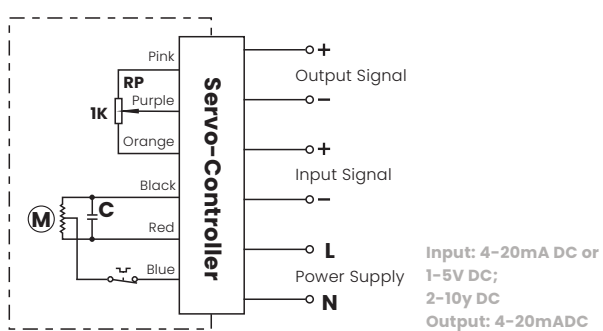
Type C: With 1KΩ (or 500Ω) Potentiometer



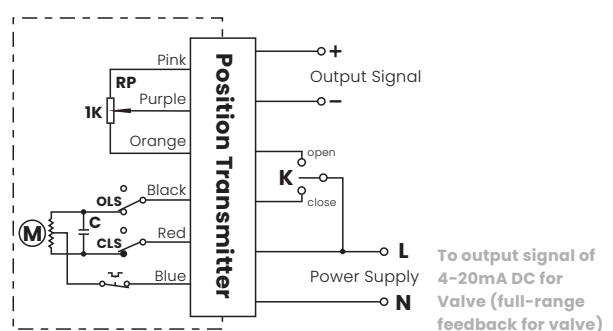
Type D: Position Switch with Potentiometer and Passive Contact



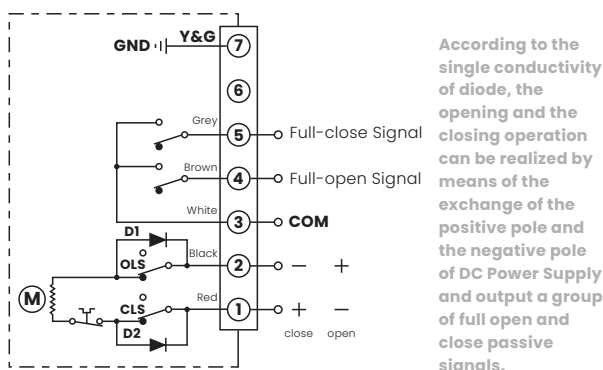
Type E: With Servo Controller (Adjusting Type)



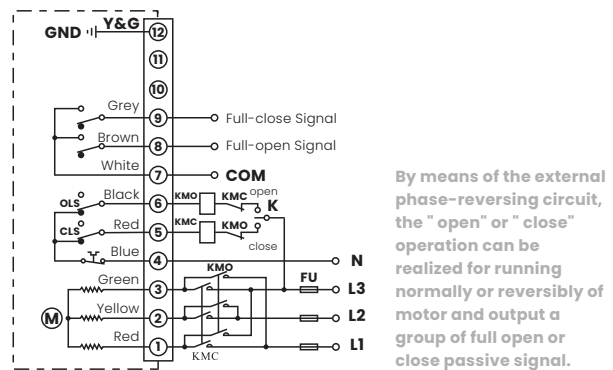
Type F: With Position Transmitter



Type H: 3-phase AC Control Circuit with Passive Contact Switch



Type H: 3-phase AC Control Circuit with Passive Contact Switch



DIMENSIONS AND SPECIFICATIONS OF EL905-EXP EXPLOSION PROOF ACTUATORS



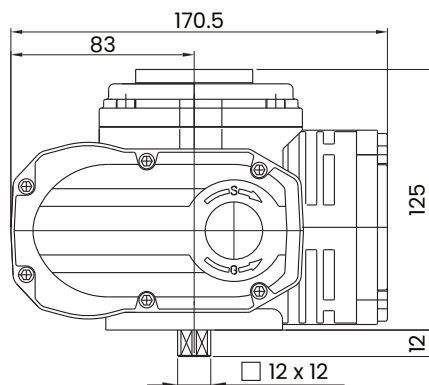
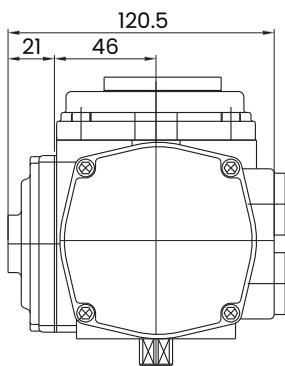
Standard Explosion Proof



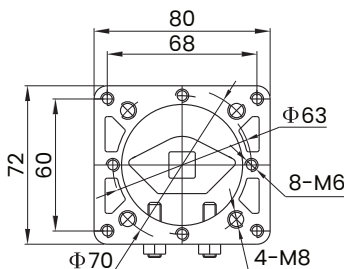
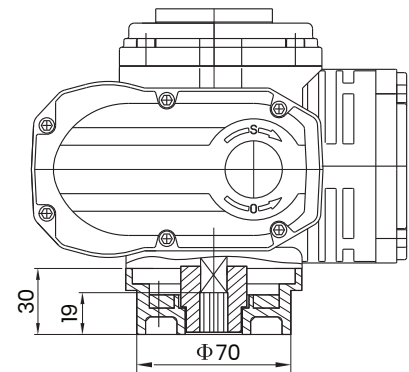
Direct Mount Explosion Proof

| Type Power Performance Parameters | EL905-EXP | | | |
|--|--|--------|---------------------------|--------|
| | DC24V | AC110V | AC380V | AC220V |
| Motor Power | 13W | 10W | 6W | 10W |
| Rated Current | 1.82A | 0.24A | 0.07A | 0.15A |
| Standard Timel / Torque | 20S/50N m | | | |
| Optional Timel / Torque | 4S/20Nm 10S/30Nm | | 48/20Nm 10S/30Nm 60S/50Nm | |
| Turning Angle | 0 - 360° Adjustable | | | |
| Available Control Circuit | Types of A, B, C, D, E, F, G, H | | | |
| Total Weight | 3.0kg | | | |
| Insulating Resistance | DC24/AC24V: 100M Ω /250VDC AC110V/AC220V/AC380V: 100M Ω /500VDC | | | |
| Withstand Voltage Class | DC24/AC24V: 500VAC 1minutes, AC110V/AC220V:1500VAC 1minutes, AC380V:1800VAC 1minutes | | | |
| Protection Class | IP68 | | | |
| Explosive-proof grade | Exd II CT4Gb / NEMA 7 | | | |
| Installation Angle | 360° at any angle | | | |
| Electric Interface | 2-M20 X 1.5 explosion-proof plug, clients should install corresponding explosion- proof cable connector when using according to the cable selected. | | | |
| Ambient Temperature | -20°C ~ +55°C | | | |
| Optional Function | ◆ Heater for eliminating moisture | | | |

STANDARD EXPLOSION PROOF

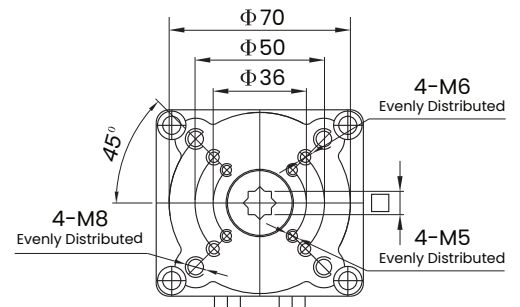


DIRECT MOUNT EXPLOSION PROOF



Parameters for Direct Installation

| | |
|-------------------|-----------------------------|
| Square | □ 9 x 9 □ 11 x 11 □ 14 x 14 |
| Flange | F03 F05 F07 |
| Valve Stem | Height ≤ 19mm |



DIMENSIONS AND SPECIFICATIONS OF EL910-EXP / EL920-EXP EXPLOSION PROOF ACTUATORS



Standard Explosion Proof

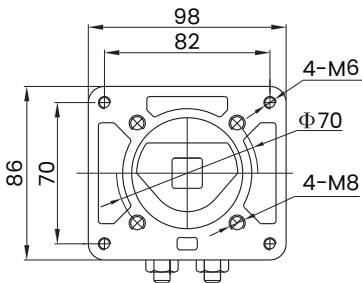
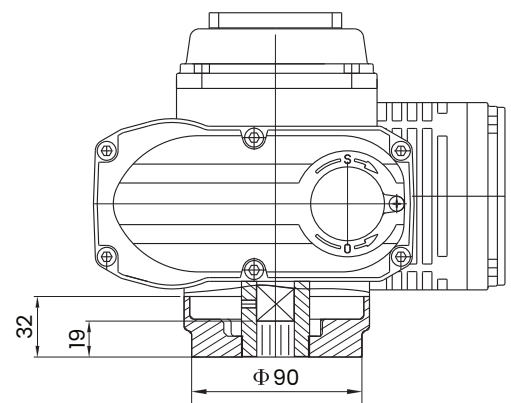
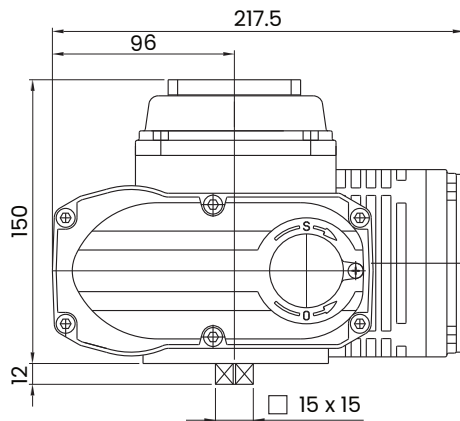
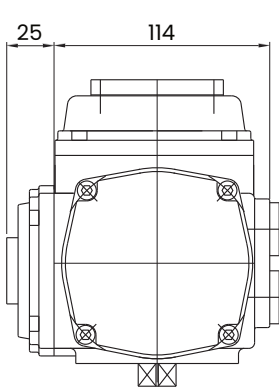


Direct Mount Explosion Proof

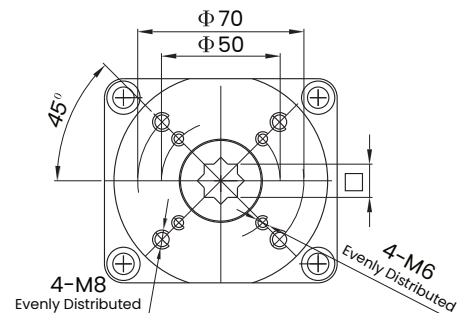
| Type Power Performance Parameters | EL910-EXP | | | | EL920-EXP | | | |
|--|--|--------|--------|-----------------------|---------------|-----------|------------------------|--------|
| | DC24V | AC110V | AC380V | AC220V | DC24V | AC110V | AC380V | AC220V |
| Motor Power | 25W | 25W | 15W | 25W | 25W | 25W | 15W | 25W |
| Rated Current | 2.20A | 0.57A | 0.10A | 0.30A | 0.30A | 0.63A | 0.10A | 0.35A |
| Standard Timel / Torque | 30S/100Nm | | | | 60S/ 200Nm | 30S/200Nm | | |
| Optional Timel / Torque | 15S/50Nm | | | 15S/50Nm 60S/100Nm | 30S/100Nm | 15S/100Nm | 15S/100Nm 60S/200Nm | |
| Turning Angle | 0 ~ 90° Adjustable | | | | | | | |
| Available Control Circuit | Types of A, B, C, D, E, F, G, H | | | | | | | |
| Total Weight | 5.0kg | | | | 5.5kg | | | |
| Insulating Resistance | DC24/AC24V: 100MΩ/250VDC AC110V/AC220V/AC380V: 100MΩ/500VDC | | | | | | | |
| Withstand Voltage Class | DC24/AC24V: 500VAC 1minutes, AC110V/AC220V:1500VAC 1minutes, AC380V:1800VAC 1minutes | | | | | | | |
| Protection Class | IP168 | | | | | | | |
| Explosive-proof grade | Exd II CT4Gb | | | | | | | |
| Installation Angle | 360° at any angle | | | | | | | |
| Electric Interface | 2-M20 X 1.5 explosion-proof plug, clients should install corresponding explosion- proof cable connector when using according to the cable selected. | | | | | | | |
| Ambient Temperature | -20°C ~ +55°C | | | | | | | |
| Optional Function | ◆ Over-torque Protector ◆ Heater for eliminating moisture | | | | | | | |

STANDARD EXPLOSION PROOF

DIRECT MOUNT EXPLOSION PROOF



| Parameters for Direct Installation | | |
|------------------------------------|--------------------------|-------------------|
| | EL910-EXP | EL920-EXP |
| Square | □9 x 9 □14 x 14 □17 x 17 | □14 x 14 □17 x 17 |
| Flange | F05 F07 | |
| Valve Stem | Height ≤19mm | |



DIMENSIONS AND SPECIFICATIONS OF EL940-EXP / EL960-EXP EXPLOSION PROOF ACTUATORS



Standard Explosion Proof

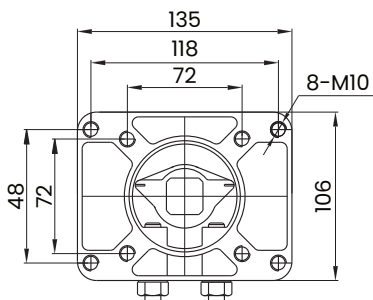
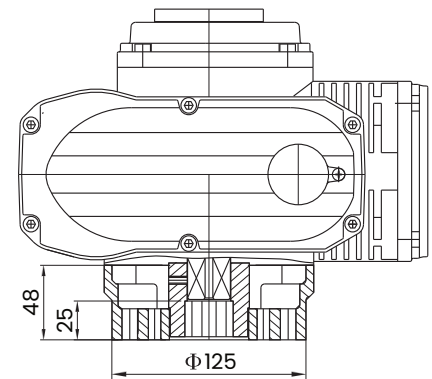
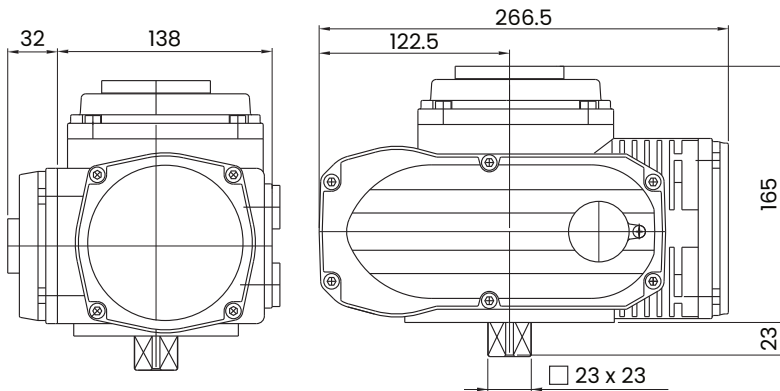


Direct Mount Explosion Proof

| Type Power Performance Parameters | EL940-EXP | | | | EL960-EXP | | | |
|--|--|--------|------------------------|--------|-----------|--------|--------|--------|
| | DC24V | AC110V | AC380V | AC220V | DC24V | AC110V | AC380V | AC220V |
| Motor Power | 70W | 90W | 40W | 90W | 70W | 90W | 40W | 90W |
| Rated Current | 7.80A | 1.12A | 0.29A | 0.64A | 8.00A | 1.18A | 0.29A | 0.67A |
| Standard Timel / Torque | 30S/400Nm | | | | 45S/600Nm | | | |
| Optional Timel / Torque | 15S/200Nm | | 15S/200Nm 60S/400Nm | | | | | |
| Turning Angle | 0 ~ 90° Adjustable | | | | | | | |
| Available Control Circuit | Types of A, B, C, D, E, F, G, H | | | | | | | |
| Total Weight | 9.5kg | | | | 10.0kg | | | |
| Insulating Resistance | DC24/AC24V: 100MΩ/250VDC AC110V/AC220V/AC380V: 100MΩ/500VDC | | | | | | | |
| Withstand Voltage Class | DC24V: 500VAC 1minutes, AC110V/AC220V:1500VAC 1minutes, AC380V:1800VAC 1minutes | | | | | | | |
| Protection Class | IP168 | | | | | | | |
| Explosive-proof grade | Exd II CT4Gb / NEMA 7 | | | | | | | |
| Installation Angle | 360° at any angle | | | | | | | |
| Electric Interface | 2-M20 X 1.5 explosion-proof plug, clients should install corresponding explosion- proof cable connector when using according to the cable selected. | | | | | | | |
| Ambient Temperature | -20°C ~ +55°C | | | | | | | |
| Optional Function | ◆ Over-torque Protector ◆ Heater for eliminating moisture | | | | | | | |

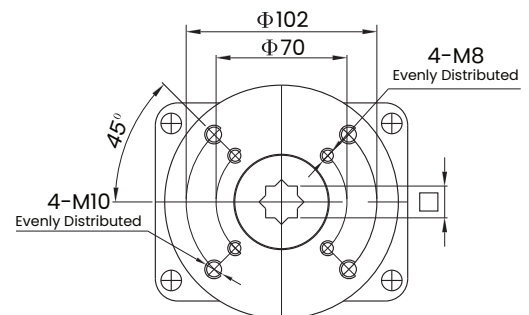
STANDARD EXPLOSION PROOF

DIRECT MOUNT EXPLOSION PROOF



Parameters for Direct Installation

| | |
|-------------------|---------------------|
| Square | □ 17 x 17 □ 22 x 22 |
| Flange | F07 F10 |
| Valve Stem | Height ≤ 25mm |



| Parameters Performance | Type | EL905-EXP | EL910-EXP | EL920-EXP | EL940-EXP | EL960-EXP |
|-----------------------------|-------|--|-------------|-----------------|-------------|-------------|
| | Power | AC110V/AC220V/DC24V | | | | |
| Output Torque | | 50Nm / 905 | 100Nm / 910 | 200Nm / 920 940 | 400Nm / 940 | 600Nm / 960 |
| Acting Time | | 20S | 30S | 30S | 30S | 45S |
| Turning Angle | | 0 ~ 90° | 0 ~ 90° | 0 ~ 90° | 0 ~ 90° | 0 ~ 90° |
| Motor Power | | 10W | 25W | 40W | 90W | 90W |
| Rated Current | | 0.24/0.15A | 0.57/0.30A | 0.63/0.35A | 1.12/0.64A | 1.18/0.67A |
| Total Weight | | 3.0kg | 5.0kg | 5.5kg | 9.5kg | 10.0kg |
| Input Signal | | 4~20mADC, 1~5VDC, 2~10VDC | | | | |
| Output Signal | | 4~20mADC | | | | |
| Basic Error | | Not more than $\pm 1\%$ | | | | |
| Reciprocating Error | | No more than 1% | | | | |
| Dead Space | | 0.5% - 5.0% adjustable | | | | |
| Damping Characteristic | | 0 times | | | | |
| Repeating Error in Actuator | | $\leq 1\%$ | | | | |
| Insulating Resistance | | 100M Ω /500VDC | | | | |
| Withstand Voltage Class | | 1500VAC 1minutes | | | | |
| Protection Class | | IP68 | | | | |
| Explosive-Proof Grade | | Exd II CT4Gb / NEMA 7 | | | | |
| Installation Angle | | 360° at any angle | | | | |
| Electric Interface | | 2-M20 X 1.5 explosion-proof plug, clients should install corresponding explosion-proof cable connector when using according to the cable selected. | | | | |
| Ambient Temperature | | -20°C ~ +55°C | | | | |
| Optional Function | | ◆ Over-torque Protector ◆ Dehumidify Heater ◆ Passive Contact Switch | | | | |
| Remark | | Any other input or output signal needed. | | | | |





CONTACT US TODAY!



WWW.VALTORC.COM



AJBENTAL@VALTORC.COM

SALES@VALTORC.COM



TOLL FREE: 1-866-VALTORC

LOCAL: 770-423-7100

FAX: 770-499-7483