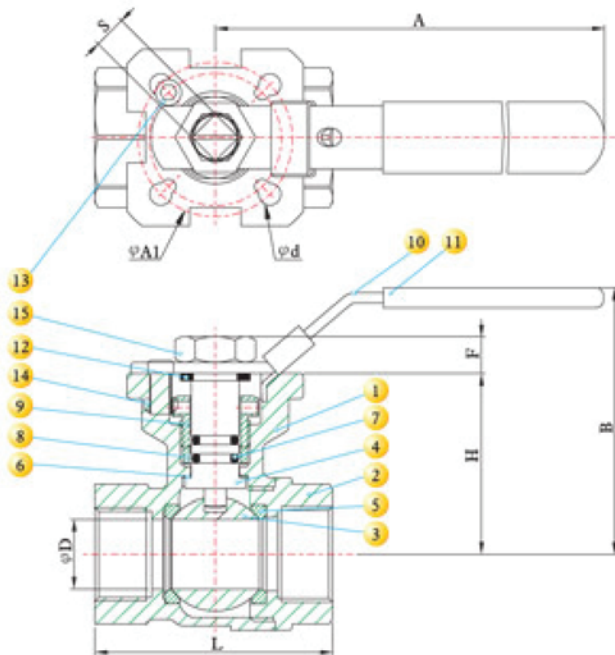


## SERIES 220



### DESIGN FEATURES:

- Steam rating: 150psi WSP
- WORKING PRESSURE: 1/4" ~ 2" : 600 PSI  
2 1/2" ~ 4" : 400PSI
- STEM & BALL: 1/4" ~ 2" : Brass  
2 1/2" ~ 4" : Stainless Steel
- **FULL ISO-5211 PAD FOR DIRECT MOUNT AUTOMATION**
- TFE® SEATS AND SEALS
- VITON® BODY O-RINGS
- TRIPLE STEM SEAL DESIGN
- BLOW-OUT PROOF STEM
- ADJUSTABLE STEM PACKING
- TEMPERATURE RATING: -18°C (0°F) to 204°C (400°F)
- Vacuum Service to 29" Hg



### MATERIAL LIST

NO.	PART NAME	MATERIAL	QTY.
1	BODY	BRONZE C84400	1
2	CAP	BRONZE C84400	1
3	BALL	BRASS (1/4" ~ 2")-CHROME PLATED C36000 CF8 (2-1/2" ~ 4")	1
4	STEM	BRASS C36000 (1/4" ~ 2") SS304 (2-1/2" ~ 4")	1
5	SEAT	PTFE	2
6	THRUST WASHER	PTFE	1
7	O-RING	VITON	2
8	GLANDA PACKING	PTFE	1
9	GLAND	BRASS C36000	1
10	HANDLE	STEEL	1
11	HANDLE COVER	PVC	1
12	HANDLE NUT	STEEL	1
13	PIN	BRASS C36000	1
14	LOCK NUT	BRASS C36000	1
15	WASHER	SS304	1

### DIMENSIONS

SIZE		A		B		D		L		F		H		S		d		Al		ISO 5211	CV	Weight	
Inch	mm	Inch	mm	Inch	mm	Inch	mm	Inch	mm	Inch	mm	Inch	mm	Inch	mm	Inch	mm	Inch	mm	Factor	Kg	Lb	
1/4"	8	4.37	111	2.98	75.8	0.39	10.0	2.50	63.5	0.37	9.5	1.60	40.5	0.35	9	0.24	6.0	1.42 / 1.65	36 / 42	F03F04	7	0.53	1.17
3/8"	10	4.37	111	2.98	75.8	0.39	10.0	2.50	63.5	0.37	9.5	1.60	40.5	0.35	9	0.24	6.0	1.42 / 1.65	36 / 42	F03F04	7	0.51	1.12
1/2"	15	4.37	111	2.98	75.8	0.59	15.0	2.50	63.5	0.37	9.5	1.60	40.5	0.35	9	0.24	6.0	1.42 / 1.65	36 / 42	F03F04	21	0.50	1.10
3/4"	20	4.37	111	3.08	78.3	0.75	19.0	2.70	68.6	0.43	11.0	1.88	47.7	0.35	9	0.24	6.0	1.42 / 1.65	36 / 42	F03F04	33	0.61	1.34
1"	25	5.00	127	3.38	85.8	0.98	25.0	3.23	82.0	0.39	10.0	2.03	51.5	0.43	11	0.24 / 0.26	6/6.5	1.65 / 1.97	42 / 50	F04F05	55	0.92	2.03
1 1/4"	32	5.00	127	3.54	90.0	1.26	32.0	3.68	90.5	0.39	10.0	2.24	57.0	0.43	11	0.24 / 0.26	6/6.5	1.65 / 1.97	42 / 50	F04F05	90	1.20	2.64
1 1/2"	40	5.87	149	4.15	105.3	1.50	38.0	3.96	100.5	0.57	14.5	2.83	72.0	0.55	14	0.26 / 0.30	6.5/8.5	1.97 / 2.76	50 / 70	F06F07	150	2.02	4.45
2"	50	5.87	149	4.88	124.0	1.97	50.0	4.53	115.0	0.57	14.5	3.23	82.0	0.55	14	0.26 / 0.30	6.5/8.5	1.97 / 2.76	50 / 70	F06F07	215	3.00	6.61
2 1/2"	65	7.09	180	5.51	140.0	2.52	64.0	6.10	155.0	0.67	17.0	3.94	100.0	0.67	17	0.35	9.0	2.76	70	F07	800	6.60	14.54
3"	80	7.09	180	5.87	149.0	3.00	76.0	6.89	175.0	0.67	17.0	4.30	109.0	0.67	17	0.35	9.0	2.76	70	F07	1150	9.00	19.82
4"	100	7.09	180	6.52	165.5	3.74	96.0	8.07	206.0	0.67	17.0	4.94	125.5	0.67	17	0.35	9.0	2.76	70	F07	2120	16.50	36.34

### PRESSURE TEMPERATURE RATINGS

