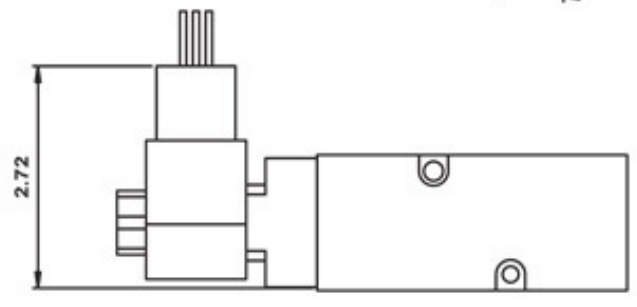
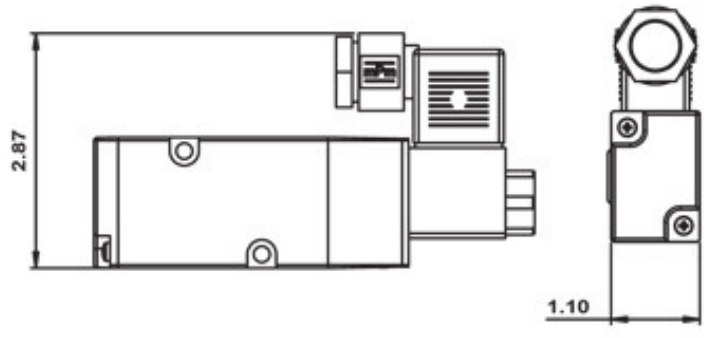
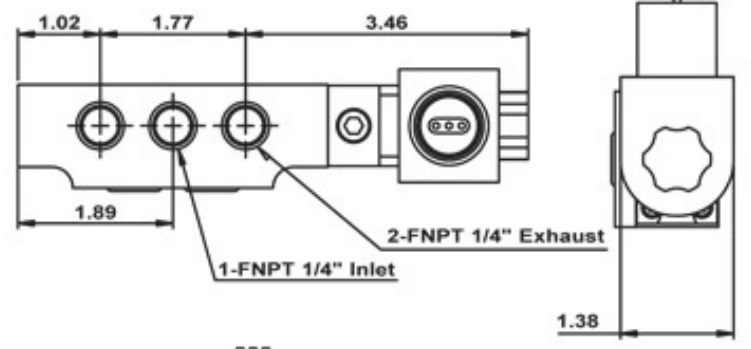
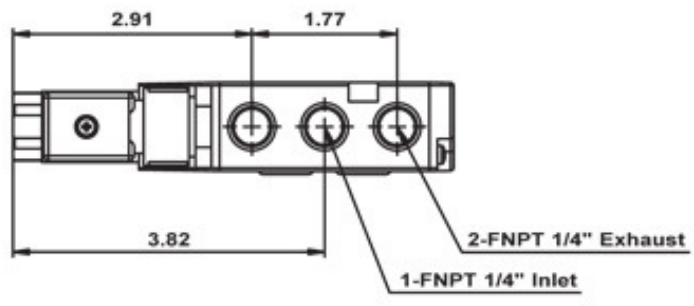
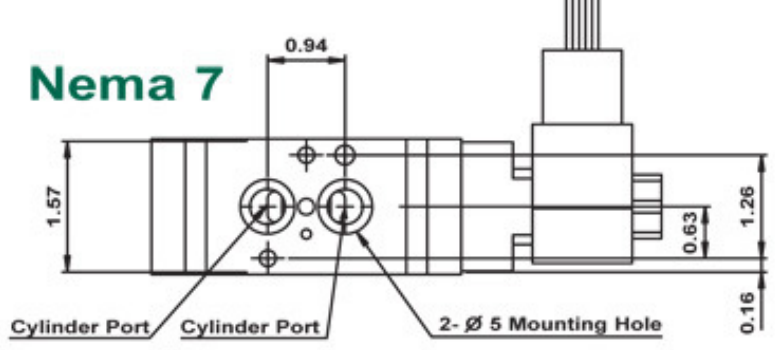
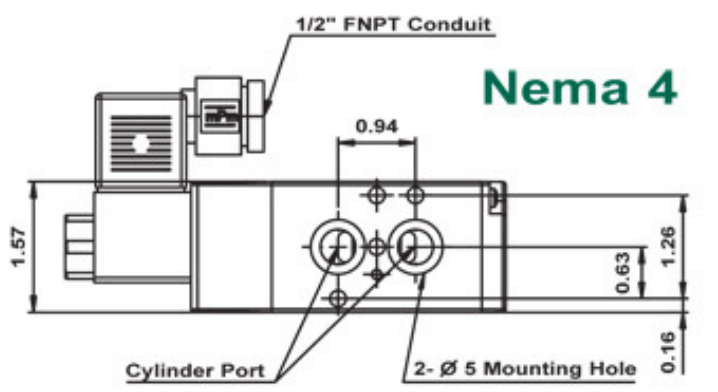


## 9AAG-B SOLENOID VALVE



Series	Model	Namur Type	Operator	Voltage
9AAG-B - Solenoid	N4 - Nema 4 Standard Coil	NMR - Namur Type 5 Way Valve	1 - Single Operator	A24V - AC 24V 50/60 Hz
	N7 - Nema 7 Explosion Proof Coil		2 - Double Operator	110V - AC 110V 50/60 Hz 220V - AC 220V 50/60 Hz 12V - DC 12V 24V - DC 24V

### Standard Features

- Namur Mount
- Nema 4
- 100% Duty Cycle
- Manual Override

### Options

- 24VAC, 110V, 220V, or 12 & 24 VDC
- Nema 7
  - CL I: Div. 1; GR. A, B, C, D
  - CL II: GR. E, F, G
  - NEMA: 4, 4X, 7C, 7D
- Dual Coil