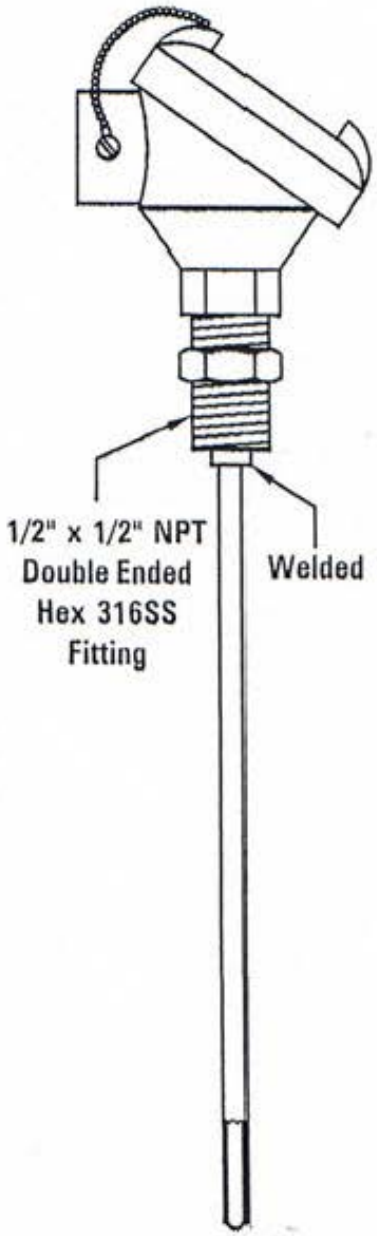


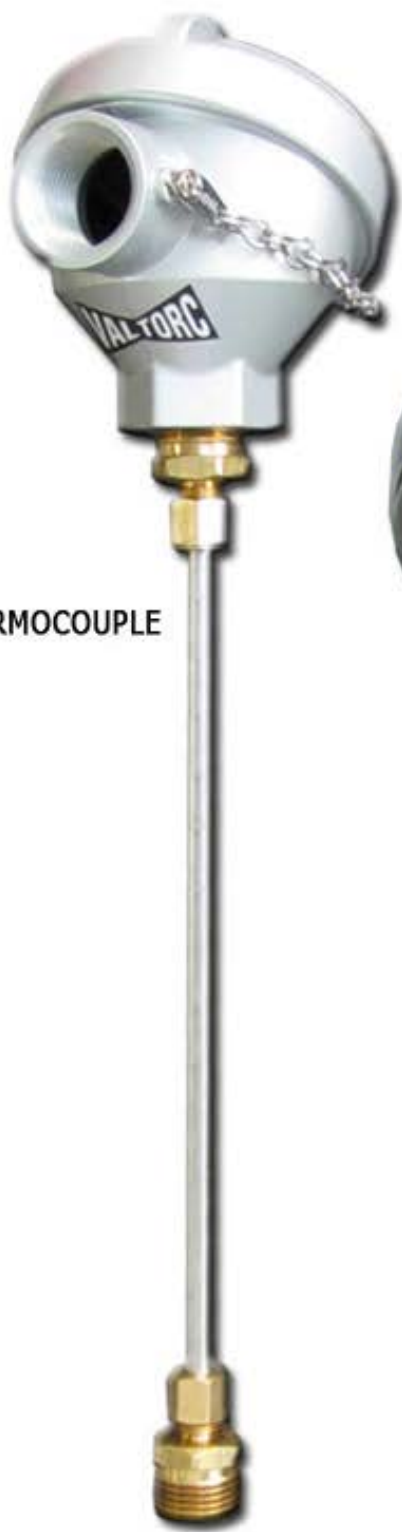
## RTD & THERMOCOUPLE

### RTD

316SS 1/4" OD ROD  
DUAL OR SINGLE ELEMENT  
1/2" NPT PROCESS CONNECTION  
NEMA 4X ALUMINUM HEAD  
VARIOUS LENGTHS



THERMOCOUPLE



RTD

