

# KNIFE GATE VALVES

**HEAVY DUTY** cast ductile iron body and yoke for the most rugged service.

Through bolting on side flange bolts to allow easy installation.

Replaceable natural rubber seat provides a **BI-DIRECTIONAL BUBBLE TIGHT SEAL** across gate from 0 to 150 PSI.

**SEAT IS FLUSH** with the bottom of the port **ELIMINATING** any pockets in the bottom of the Valve to collect material in media such as slurries, pellets or powders.

Rubber seat has a **MOLDED-IN STEEL REINFORCEMENT** and is bolted in place to prevent it from being shifted out of position by gate movement.

Rubber seat replacement is quick and easy.

Machined **STAINLESS STEEL GATE** and Stem for corrosion resistance and durability.

**EASY CONVERSION** from handwheel operator to cylinder, bevel gear or electric motor operator using cast yoke.

**ENCLOSED BRASS STEM BUSHING** provides reduced operating torque and protection of the stem bushing from harsh environments.

**FULL PACKING SEAL** around gate to minimize packing leakage.

**MSS-SP-81** face to face dimension and flange dimensions.

**FULL PORT ID.**

**Minimum 4 BOLT PACKING GLAND** to assure proper gland alignment in all sizes.

Entire valve (**inside and outside**) coated with an **Epoxy Powder Coating** for corrosion resistance.

## Used in these industries:

Mining	Waste Water
Power	Food Processing
Chemical	Pulp & Paper

DUCTILE IRON BODY  
KNIFE GATE VALVE



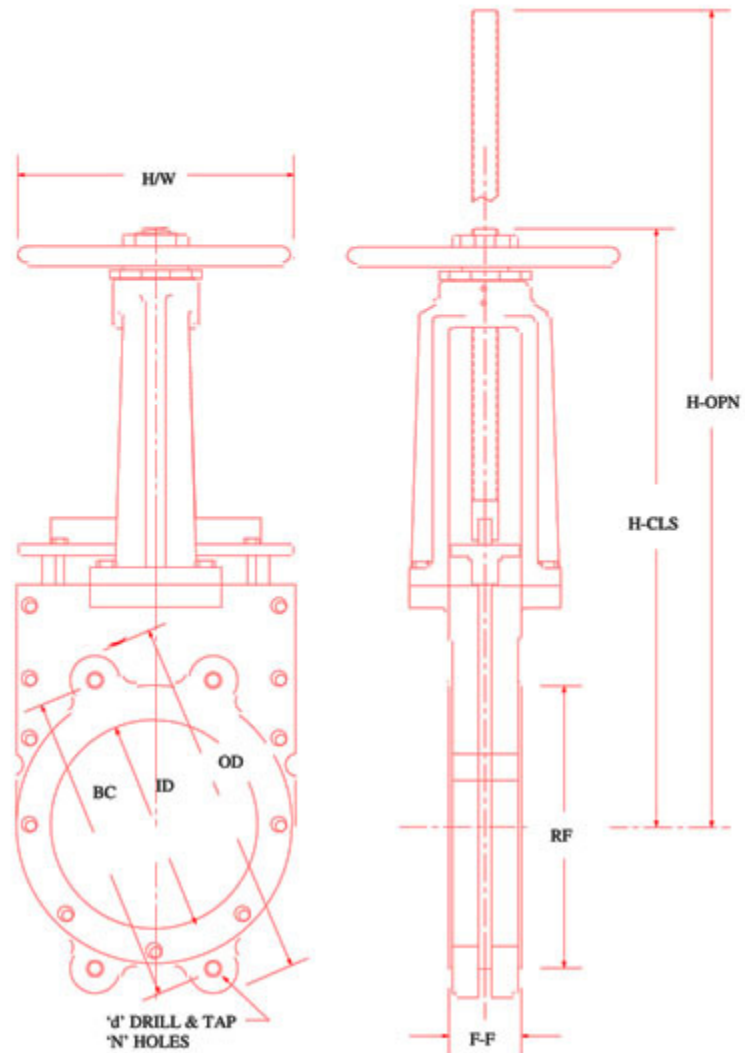
# DUCTILE IRON BODY KNIFE GATE VALVE

## MATERIALS OF CONSTRUCTION

1 GATE	SS
2 BODY	DI
3 SEAT	NATURAL RUBBER*
4 BOLTS	PLATED
5 PACKING	TFE
6 GLAND	DI
7 STEM	SS
8 YOKE	DI
9 STEM NUT	BRASS
10 HANDWHEEL	DI

\* Buna and EPDM also available

Normally supplied with handwheel for manual operation, but can be modified for lever, chainwheel, bevel gear, electric, hydraulic cylinder or pneumatic cylinder operator.



## DIMENSIONS (INCHES) AND WEIGHTS

SIZE		3"	4"	6"	8"	10"	12"	14"	16"	18"	20"	24"
FACE TO FACE	F-F	2"	2"	2-1/4"	2-3/4"	2-3/4"	3"	3"	3-1/2"	3-1/2"	3-1/2"	4"
FLANGE OD	OD	7-1/2"	9"	11"	13-1/2"	16"	19"	21"	23-1/2"	25"	27-1/2"	32"
BOLT CIRCLE	BC	6"	7-1/2"	9-1/2"	11-3/4"	14-1/4"	17"	18-3/4"	21-1/4"	22-3/4"	25"	29-1/2"
FLANGE RF	RF	5"	6-3/16"	8-1/2"	10-5/8"	12-3/4"	15"	16-1/4"	18-1/2"	-FLAT	FACE F	FLANGE-
INSIDE DIAMETER	ID	3"	4"	6"	8"	10"	12"	14"	15-1/4"	17-1/4"	19-1/4"	23-1/4"
NUMBER OF HOLES	N	4	8	8	8	12	12	12	16	16	20	20
HOLE D&T SIZE	d	5/8"-11	5/8"-11	3/4"-10	3/4"-10	7/8"-9	7/8"-9	1"-8	1"-8	1-1/8"-7	1-1/8"-7	1-1/4"-7
C/L TO TOP-CLOSED	H-CLS	14-1/4"	16-1/4"	20-1/8"	24-1/4"	28-1/2"	34-1/2"	40"	41"	47-3/8"	51"	50-1/2"
C/L TO TOP-OPEN	H-OPN	17-1/2"	20-1/2"	26-1/2"	32-1/2"	38-3/4"	47"	54-1/4"	56-1/4"	64"	72-1/4"	82-1/4"
HANDWHEEL DIA.	H/W	8"	12"	12"	16"	16"	16"	24"	24"	24"	24"	24"
WEIGHT - LBS.		29	46	75	118	180	295	345	455	545	800	1050