

CAST BODY KNIFE GATE VALVES

Solid one piece **cast body** in corrosion resistant **stainless steel**.

Compact wafer configuration to Tappi and **MSS standard face to face**.

Rubber seat provides a **BI-DIRECTIONAL DRIP TIGHT SEAL** across the gate from 0 to 150 PSI.

Resilient seat is **FIELD REPLACEABLE**.

Designed to **handle dense mixtures of stock and slurries**. A variety of resilient seat materials available.

Smooth flow - **non-clogging FULL PORT** design.

Easy conversion from handwheel operator to cylinder, bevel gear or electric motor operator using cast yoke.

Bonnetless, outside screw and yoke, non-rising handwheel, rising stem.

Available in sizes from **2" to 24"** diameter.

Meets Tappi standard TIS 405-8 and **MSS SP 81** for stainless steel bonnetless, flanged, wafer knife gate valves.

150 PSI design pressure.

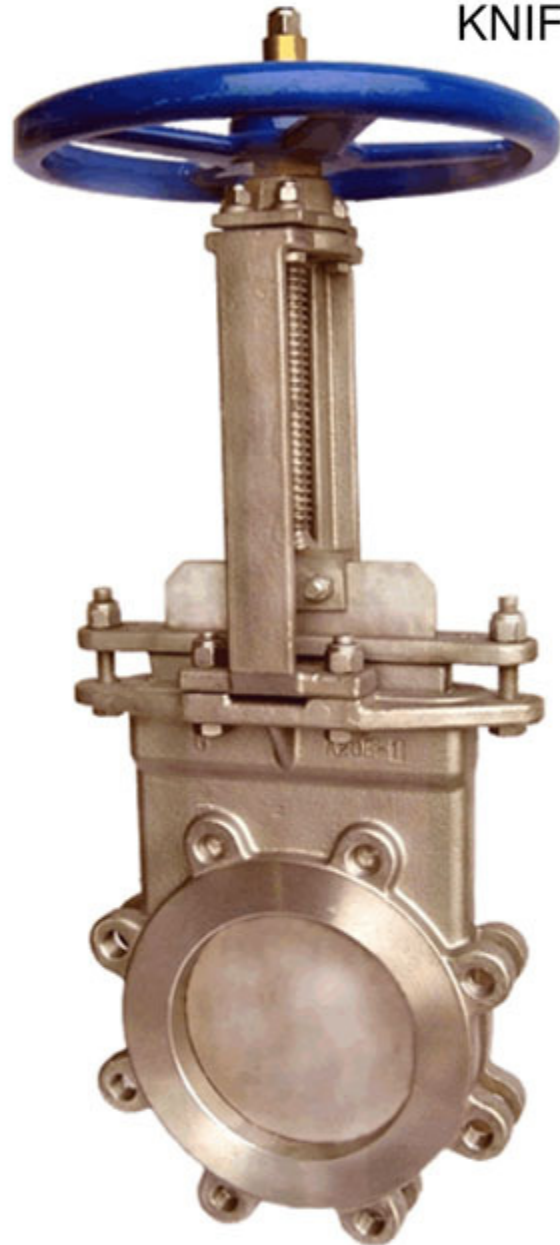
Flanges matche **ANSI B16.5-150 lbs.** standard with all tapped holes, serrated gasket faces.

TFE lubricated synthetic packing (TLSP) rated for 450° F and a PH range of 3-11 is standard.

Used in these industries:

Pulp & Paper	Mining
Waste Water	Power
Chemical	Beverage
Food Processing	
Industrial	

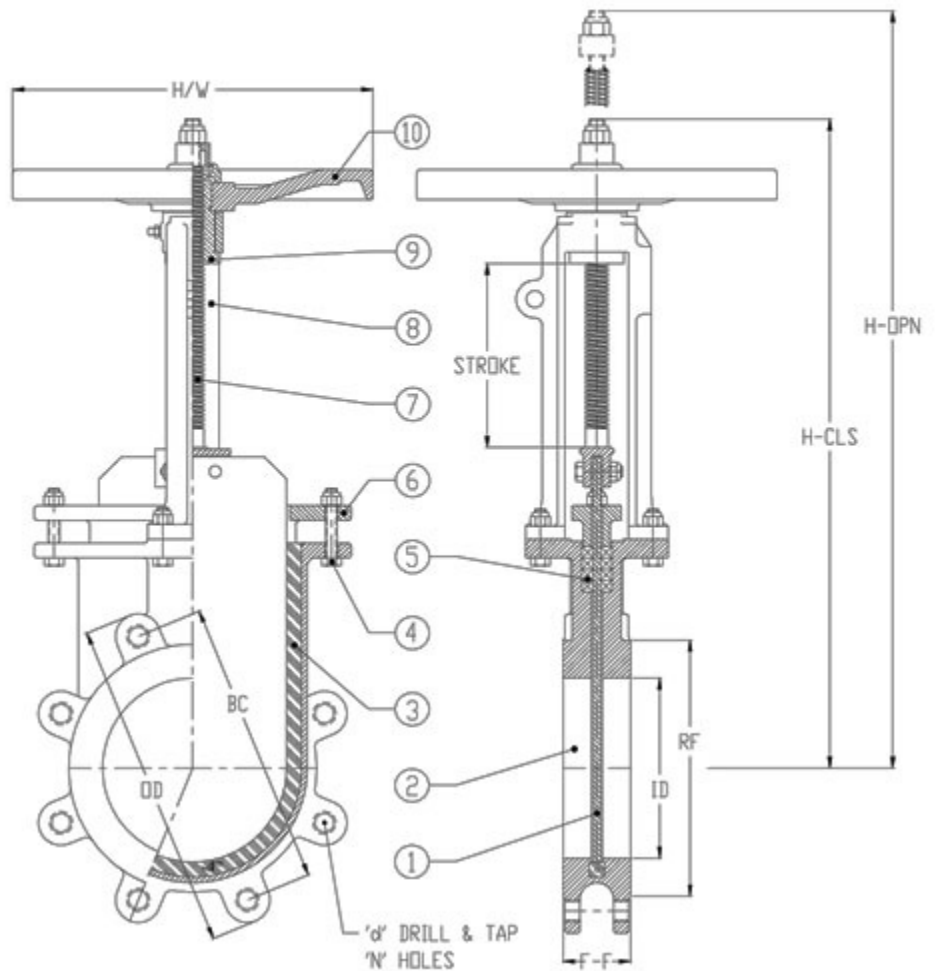
CAST BODY
RESILIENT SEAT
KNIFE GATE
VALVE



CAST BODY RESILIENT SEAT KNIFE GATE VALVE

MATERIALS OF CONSTRUCTION

1 GATE	SS
2 BODY	SS
3 SEAT	Hycar
4 BOLTS	SS
5 PACKING	TFE
6 GLAND	SS
7 STEM	SS
8 YOKE	SS
9 STEM NUT	BRASS
10 HANDWHEEL	DI



Stocked in 304 and 316 SS. 317 SS Available.

Normally supplied with handwheel for manual operation, but can be modified for lever, chainwheel, bevel gear, electric, hydraulic cylinder or pneumatic cylinder operator.

SEAT MATERIALS AVAILABLE:

HYCAR HYPALON EPDM
VITON TEFLON

DIMENSIONS (INCHES) AND WEIGHTS

SIZE		2"	3"	4"	6"	8"	10"	12"	14"	16"	18"	20"	24"
FACE TO FACE	F-F	1-7/8"	2"	2"	2-1/4"	2-3/4"	2-3/4"	3"	3"	3-1/2"	3-1/2"	4-1/2"	4-1/2"
FLANGE OD	OD	6"	7-1/2"	9"	11"	13-1/2"	16"	19"	21"	23-1/2"	25"	27-1/2"	32"
BOLT CIRCLE	BC	4-1/4"	6"	7-1/2"	9-1/2"	11-3/4"	14-1/4"	17"	18-3/4"	21-1/4"	22-3/4"	25"	29-1/2"
INSIDE DIAMETER	ID	2"	3"	4"	6"	8"	10"	12"	13-5/8"	15-1/2"	17-1/5"	19-1/2"	23-3/8"
NUMBER OF HOLES	N	4	4	8	8	8	12	12	12	16	16	20	20
HOLE D&T SIZE	d	5/8"-11	5/8"-11	5/8"-11	3/4"-10	3/4"-10	7/8"-9	7/8"-9	1"-8	1"-8	1-1/8"-7	1-1/8"-7	1-1/4"-7
C/L TO TOP-CLOSED	H-CLS	13-5/8"	16"	17-3/4"	21-5/8"	26-3/4"	32-1/8"	36-3/8"	42"	46-3/4"	52-3/8"	55-3/4"	66-1/2"
C/L TO TOP-OPEN	H-OPN	16"	19-3/4"	21-5/8"	27-3/4"	34-3/4"	42-3/4"	48-5/8"	55-1/4"	63-1/8"	70-1/2"	76-3/4"	85-3/4"
HANDWHEEL DIA.	H/W	8"	8"	8"	12"	12"	15"	15"	15"	20"	20"	20"	30"
WEIGHT - LBS.		20	29	38	52	85	120	160	212	300	350	480	600