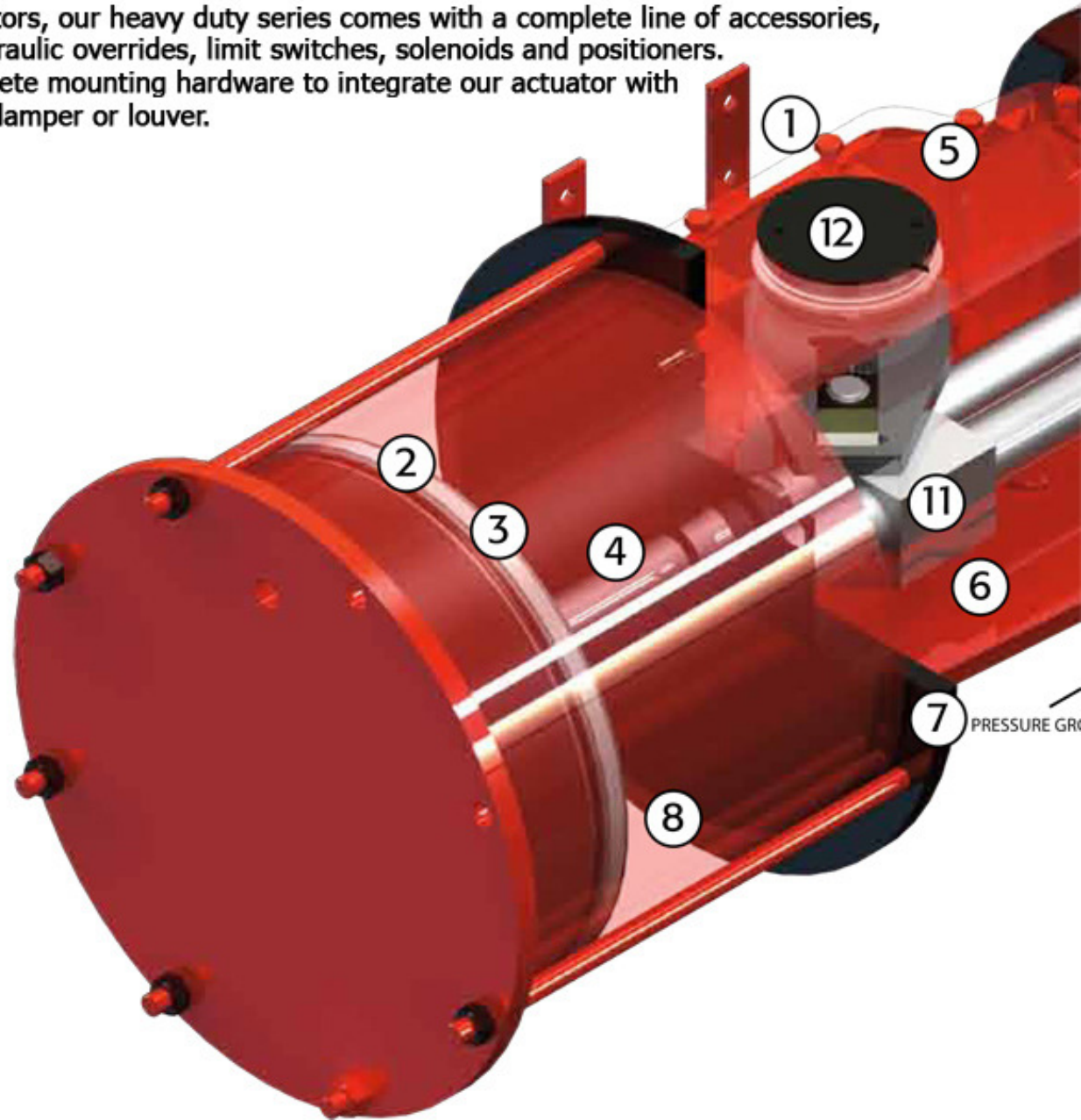


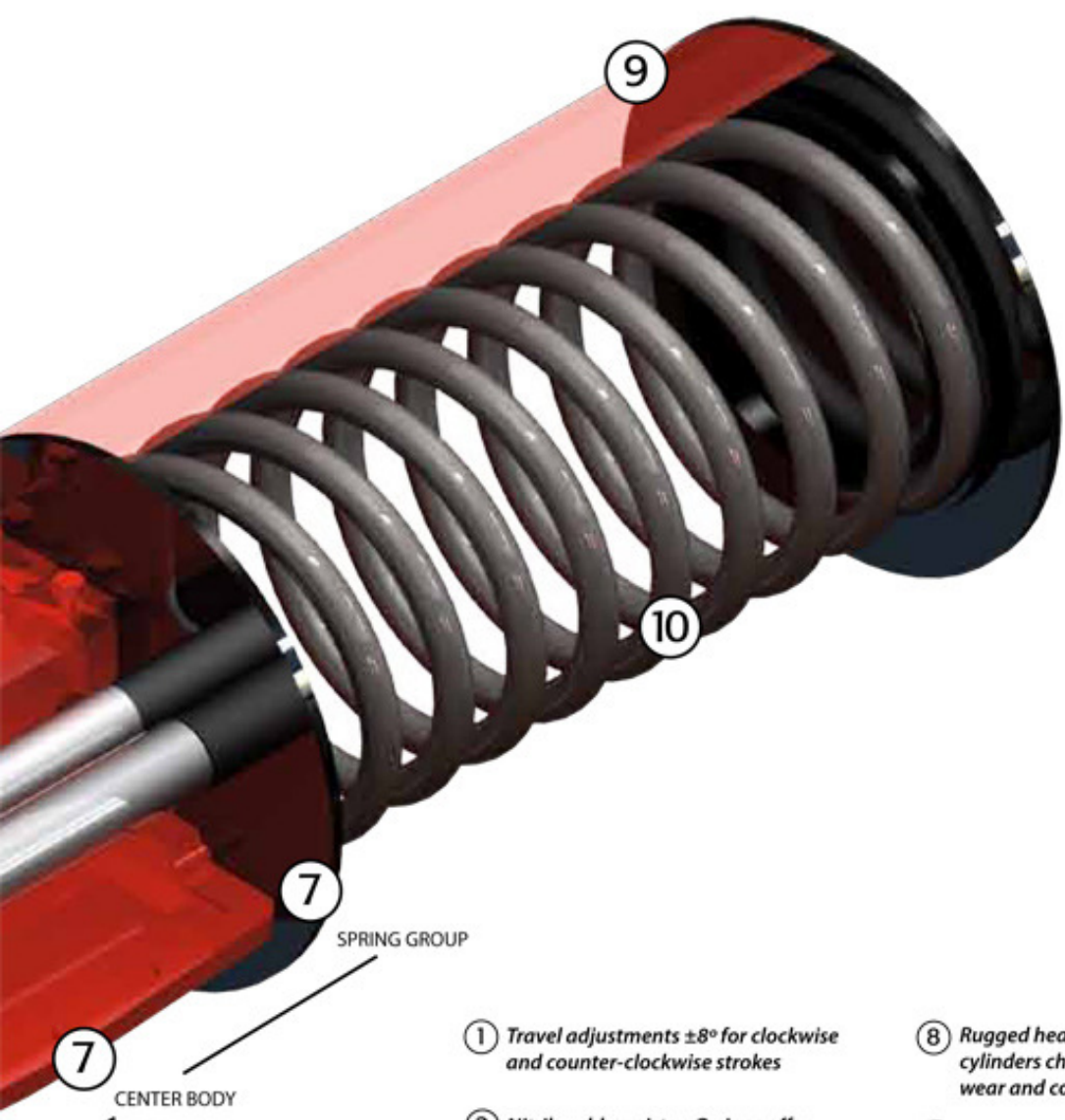
Valtorc International Heavy Duty Pneumatic Actuator

The Valtorc line of heavy duty actuators offer a broad range of torques to 1,600,000 in-lbs. The Valtorc series is designed to operate ball, butterfly, plug valves, dampers or any device that requires a quarter-turn movement for on-off or throttling service.

Our standard offering is the symmetrical design yoke that delivers maximum torque at both ends of the 90° cycle. The square slide bearing with guide bar gives high cycle life and smooth stroke while minimizing wear points.

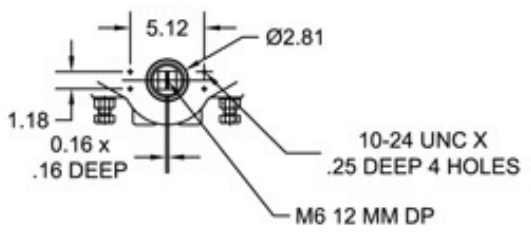
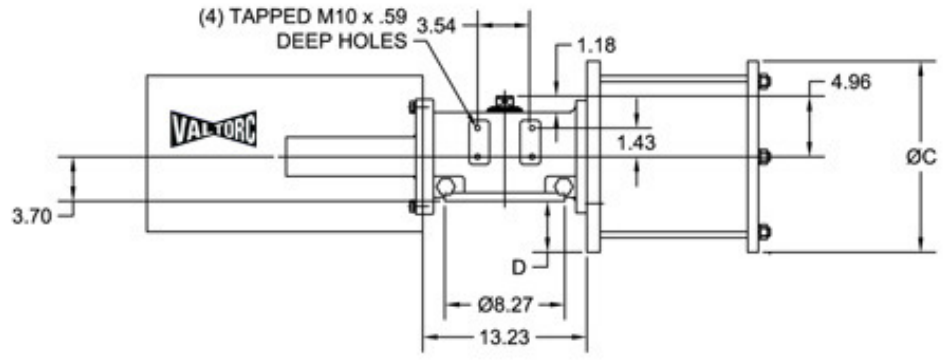
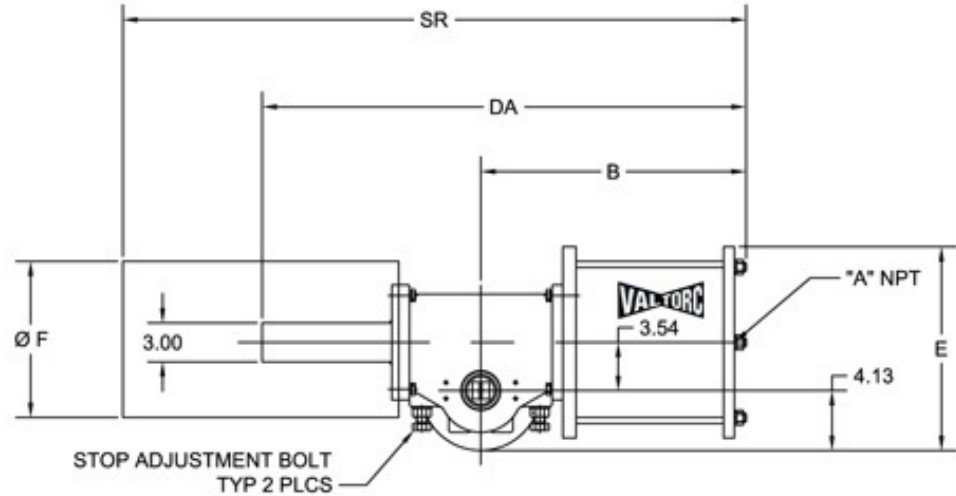
As with all Valtorc actuators, our heavy duty series comes with a complete line of accessories, including jackscrew, hydraulic overrides, limit switches, solenoids and positioners. Valtorc also offers complete mounting hardware to integrate our actuator with any quarter-turn valve, damper or louver.



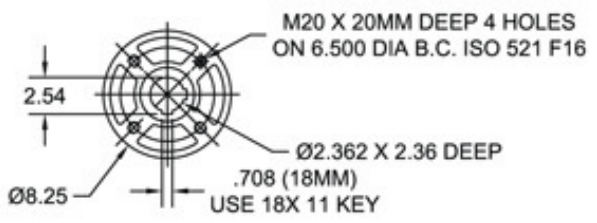


- ① Travel adjustments $\pm 8^\circ$ for clockwise and counter-clockwise strokes
- ② Nitrile rubber piston O-rings offer excellent sealing and wear. Optional low and high temperature seals and lube are available.
- ③ RTFE Guide Band supports piston while providing smooth operation and extended life
- ④ Extra large, strong piston rod for long life and torque transmission
- ⑤ Namur accessory mounting pads permit mounting standardization of limit switches, positioners, etc.
- ⑥ Ductile iron center body
- ⑦ Modular design allows for installing power groups and spring cartridges so that actuators may be set up for different air pressures and for Fail Clockwise and Fail Counter-clockwise
- ⑧ Rugged heavy duty steel pressure cylinders chrome plated for long wear and corrosion resistance
- ⑨ Safe, welded spring cartridges with numerous options for a broad range of air pressure conditions
- ⑩ Alloy steel, corrosion resistant and heat treated springs
Designed and manufactured for long high cycle life
- ⑪ Steel slide block, bronze slide bearings to minimize friction and provide long cycle life*
- ⑫ Visual position indicator

Dimensions



ACCESSORY MOUNTING DIMENSIONS



ACTUATOR SHOWN IN FULL CLOCKWISE POSITION FROM ACCESSORY SIDE

ACTUATORS MAY BE ORDERED WITH SPECIAL DRIVE ARRANGEMENTS CONSULT FACTORY FOR DETAILS

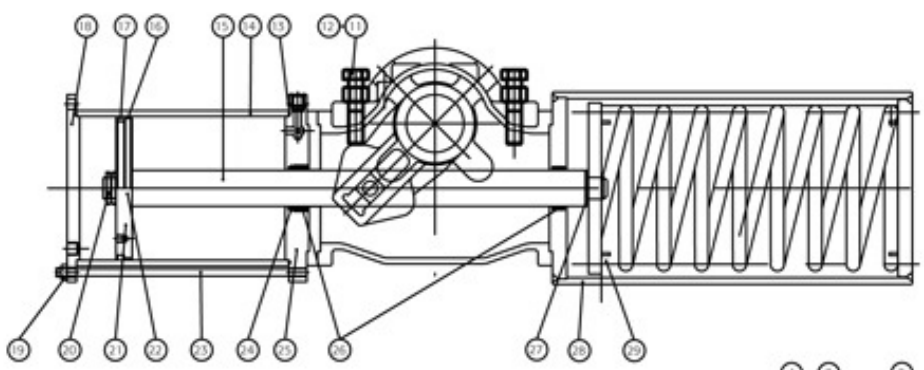
ACTUATOR MODEL	A	B	DA	C	D	E
VT-AC-1	3/8" NPT	20.79	38.31	10.24	1.85	12.79
VT-AC-2	1/2" NPT	20.08	37.60	14.06	3.76	14.70
VT-AC-3	1/2" NPT	20.08	37.60	16.14	4.80	15.74
VT-AC-4	1/2" NPT	20.08	37.60	18.31	5.91	16.83

Bill of Materials

NO	QTY	SEAL KIT	DESCRIPTION	MATERIAL
1	1		HOUSING	A536 GR 65-45-12
2	1		PINION	1045
3	1	*	UPPER PINION O-RING	NBR
4	1	*	UPPER PINION BEARING	PTFE
5	1		YOKE / PINION KEY	1045
6	1		YOKE	A216 WCC
7	1	*	LOWER PINION BEARING	PTFE
8	1	*	LOWER PINION O-RING	NBR
9	1		YOKE PIN	17-4 PH STAINLESS STEEL
10	2		YOKE PIN BUSHING	B505 C836
11	2		STOP BOLT	A193 B7
12	2		STOP BOLT NUT	A193 GR. 4
13	2	*	CYLINDER O-RING	NBR
14	1		CYLINDER	A106 GR. A CHROME PLATED
15	1		PISTON ROD	ANSI 1045 CHROME PLATED
16	1	*	BACK UP RING	RTFE
17	1	*	PISTON O-RING	NBR
18	1		END CAP	ASTM A36
19	**		TIE ROD NUT	ASTM A194 GR 2H
20	1		DOUBLE LOCK NUT KEYED ASSY	ASTM A194 GR 2H
21	1		PISTON	ASTM A36
22	1	*	PISTON ROD O-RING	NBR
23	**		TIE ROD	ANSI 1045
24	1	*	PISTON ROD O-RING	NBR
25	1		ADAPTER	ASTM A36
26	2	*	PISTON ROD BUSHING	PTFE
27	1		THRUST BEARING	B505 C836
28	1		SPRING CYLINDER WELDMENT	A106 GR. A
29	1		SPRING	SAE 9254
30	1		ROD COVER ADAPTER	ASTM A36
31	1		ROD COVER	A106 GR. A



SPRING RETURN



DOUBLE ACTING

