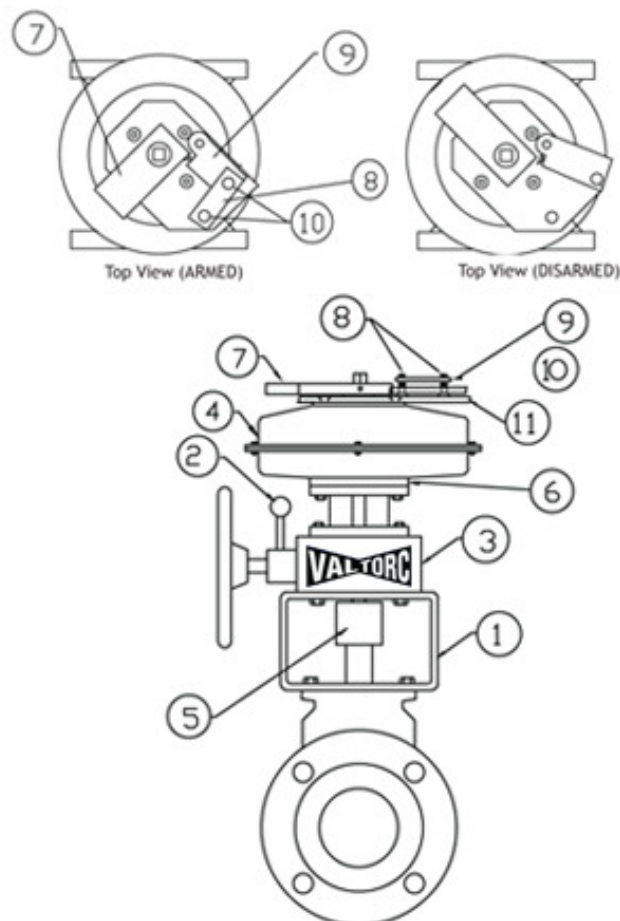


FUSELINK SERIES 20 FUSIBLE LINK PACKAGE

FOR VALVES UP TO 1800 INCH POUNDS OF TORQUE

- PROVIDES AUTOMATIC CLOSURE IN EVENT OF FIRE
- VALVE CAN BE OPERATED MANUALLY THROUGH GEAR AFTER DISARMING FUSIBLE LINKS
- HEAVY-DUTY SOLDERED FUSIBLE LINKS TO 360° F
- API 607 FIRE SAFE VALVE AVAILABLE WITH ANSI FLANGES ON BALL VALVES OR WAFER AND LUG STYLE ON BUTTERFLY VALVES

3" through 6" depending on valve torque, media and pressure.



1	valve mounting bracket	7	stop plate
2	declutch lever	8	safety link (for shipping only)
3	declutch manual override	9	pivot arm
4	spring pack (109, 129)	10	mounting studs
5	valve coupler	11	fusible link mounting plate
6	declutch mounting plate		

HEAVY DUTY SPRING PACK

The armed spring pack features weatherproof sealed spring housing and corrosion resistant epoxy paint. The reliable low stress clock springs assure quick closing action when the fusible links yield.

CUSTOMIZED MOUNTING HARDWARE

A heavy-duty gauge bracket and top plate provide the durable, secure construction that VALTORC products are known for. An all stainless bracket, coupling, arming plate and hardware kit also are available.

FACTORY ASSEMBLED

All VALTORC fusible link assemblies are assembled by factory-trained personnel. The units then are armed with a protective safety link for shipping purposes.

DECLUTCHABLE MANUAL OVERRIDE

This series features a declutchable gear operator to arm the assembly or to operate the valve once the links are disengaged.

RELIABLE FUSIBLE LINKS

VALTORC fusible links are designed to remain secure until releasing the spring pack when the desired temperature is reached. Globe soldered type fusible links are available in these temperature ranges:

Part Number	Yield Temperature	Max. Ambient Temperature
VT-002	135° F / 57° C	104° F / 41° C
VT-003	165° F / 74° C	135° F / 57° C
VT-004	212° F / 100° C	185° F / 82° C
VT-005	280° F / 138° C	253° F / 123° C
VT-006	360° F / 182° C	330° F / 166° C