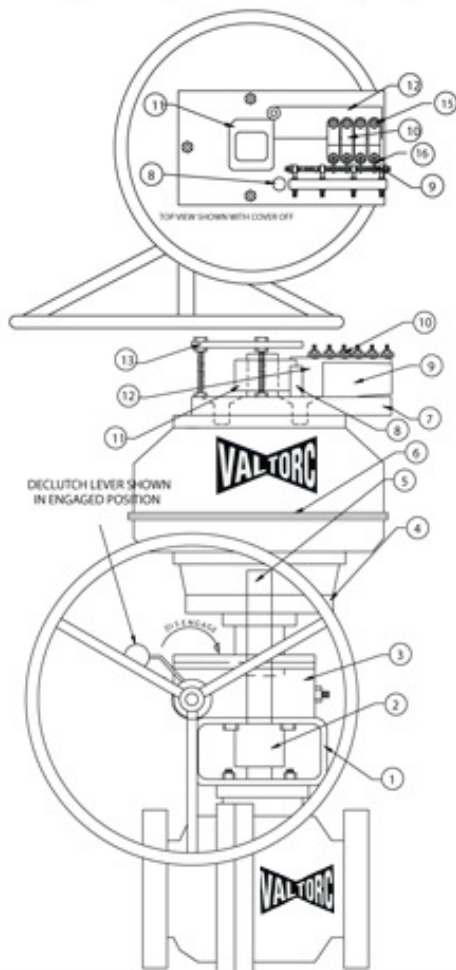


FUSELINK SERIES 10 FUSIBLE LINK PACKAGE

FOR VALVES UP TO 21,000 INCH POUNDS OF TORQUE

- PROVIDES AUTOMATIC CLOSURE IN EVENT OF FIRE
 - VALVE CAN BE OPERATED MANUALLY THROUGH GEAR AFTER DISARMING FUSIBLE LINKS
 - HEAVY-DUTY SOLDERED FUSIBLE LINKS TO 440° F
 - API 607 FIRE SAFE VALVE AVAILABLE WITH ANSI FLANGES ON BALL VALVES OR WAFER AND LUG STYLE ON BUTTERFLY VALVES
- 3" through 12" depending on valve torque, media and pressure.



1	valve mounting bracket	9	fusible link retaining rod
2	valve coupler	10	fusible links
3	declutchable override gear	11	spring pack stop assembly
4	spring pack mounting plate	12	locking trigger
5	spring pack/declutch coupler	13	safety cover plate
6	spring pack (149, 169, 189)	14	rod end bearings
7	arming device mounting plate	15	shoulder bolts
8	safety stop pin	16	SuperLoops

HEAVY DUTY SPRING PACK

The armed spring pack features weatherproof sealed spring housing and corrosion resistant epoxy paint. The reliable low stress clock springs assure quick closing action when the fusible links yield.

CUSTOMIZED MOUNTING HARDWARE

A heavy-duty gauge bracket and top plate provide the durable, secure construction that VALTORC products are known for. An all stainless bracket, coupling, arming plate and hardware kit also are available.

FACTORY ASSEMBLED

All VALTORC fusible link assemblies are assembled by factory-trained personnel. The units then are armed with a protective safety link for shipping purposes.

DECLUTCHABLE MANUAL OVERRIDE

This series features a declutchable gear operator to arm the assembly or to operate the valve once the links are disengaged.

RELIABLE FUSIBLE LINKS

VALTORC fusible links are designed to remain secure until releasing the spring pack when the desired temperature is reached. Globe soldered type fusible links are available in these temperature ranges:

Part Number	Yield Temperature	Max. Ambient Temperature
VT-002	162° F / 72° C	109° F / 42° C
VT-003	200° F / 93° C	145° F / 63° C
VT-004	286° F / 141° C	232° F / 111° C
VT-005	327° F / 182° C	305° F / 152° C
VT-006	440° F / 227° C	386° F / 197° C