

VALTORC

WWW.VALTORC.COM
AJBENTAL@VALTORC.COM
1 (866) VALTORC

ELECTRO PNEUMATIC POSITIONER

SERIES VP-900



**PRECISE CALIBRATION WITH
SIMPLE ZERO AND
SPAN ADJUSTMENTS**



Features

- Available in rotary (ROT) or linear (LIN)
- Precise calibration with simple span and zero adjustments
- Direct or reverse action
- Split range available
- Rugged aluminum enclosure with epoxy coating
- Vibration resistant
- Stainless steel gauges standard
- Various orifices available to increase/decrease flow
- Certified for ATEX

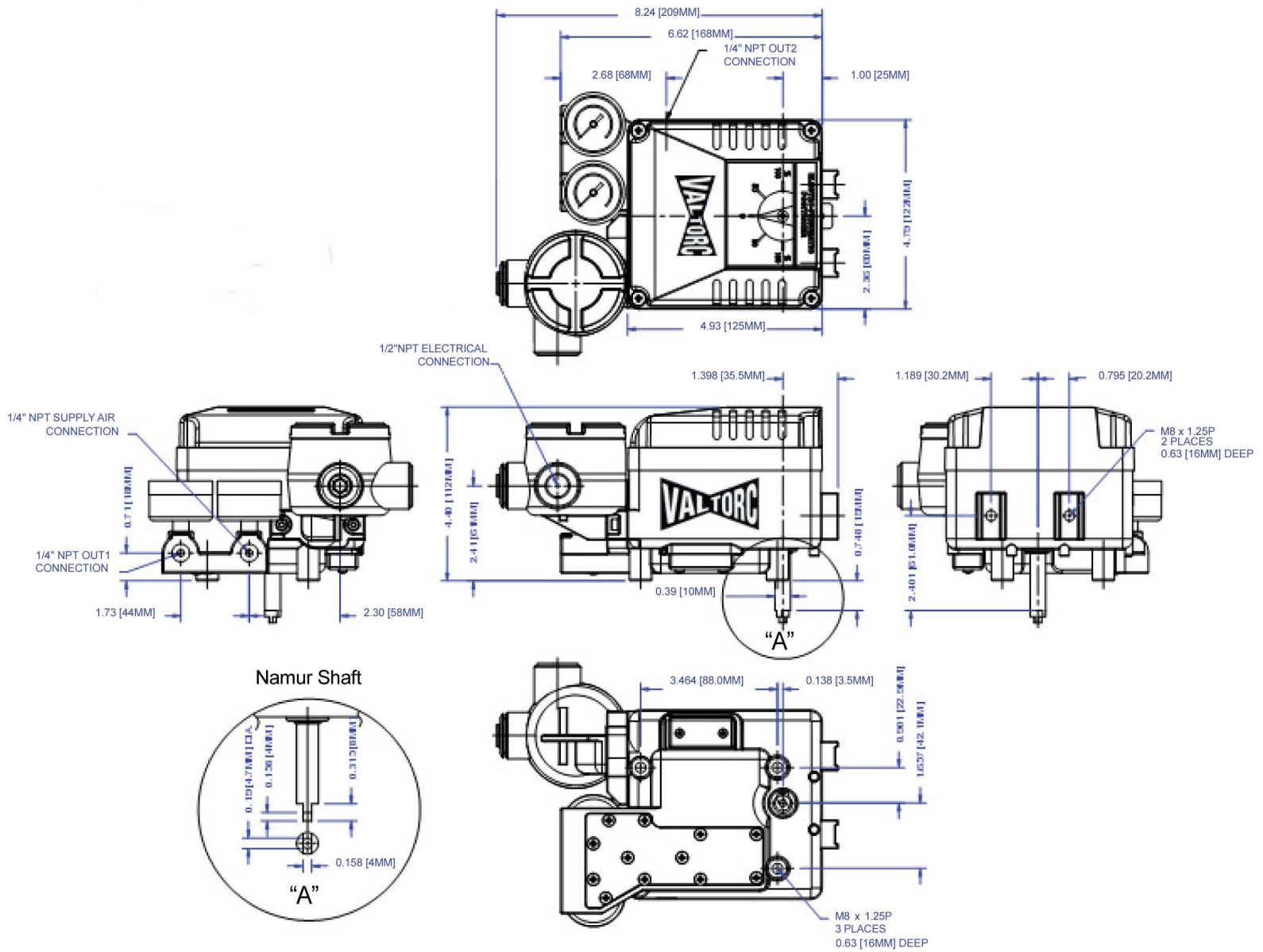
Specifications

Item	LIN		ROT	
	Linear Type (lever feedback)		Rotary Type (cam feedback)	
	Single	Double	Single	Double
Input Signal	4...20 mA DC (NOTE 1)			
Input Resistance	235±15			
Supply Air Pressure	Max.100 psi (7.0 kgf/cm ²)			
Standard Stroke	10-80mm (NOTE 2)		60-100° (NOTE 3)	
Air Piping Connection	1/4" NPT			
Conduit Connection	1/2" NPT			
Explosion-Proof Classification	Exmd II BT6, Exmd II C(H ₂)T6, IP66, Exia II BT6			
Ambient Temperature	-4 -158°F			
Pressure Gauge	Stainless Steel			
Output Characteristics	Linear			
Linearity	Within ±1.0% F.S.		Within ±1.5% F.S.	
Sensitivity	Within 0.1% F.S.		Within 0.5% F.S.	
Hysteresis	Within 0.5% F.S.		Within 1.0% F.S.	
Repeatability	Within ±0.5% F.S.			
Air Consumption	.18 CFM @ 20 psi			
Flow Capacity	2.83 CFM @ 20 psi			
Material	Aluminum Diecast Body			
Weight	6.5 lbs. with a terminal box			

NOTE: 1) 1/2 split range can be adjusted

2) Feedback lever for stroke 80-150mm is available (LIN)

3) Stroke can be adjusted to 0°-60° or 0°-100° (ROT)



Call 1-866-VALTORC for LIN (Linear) dimensional info.

Available Models*

ROT-900A	VALTORC 4-20mA Electro- Pneumatic Positioner
ROT-900B	VALTORC 4-20mA Electro-Pneumatic Positioner with (2) spdt limit switches
ROT-900C	VALTORC 4-20mA Electro-Pneumatic Positioner with 4-20mA Transmitter
ROT-900D	VALTORC Electro-Pneumatic Positioner with 4-20mA Transmitter and (2) spdt Limit Switches

*Models are not in stock, please call in advance for order information