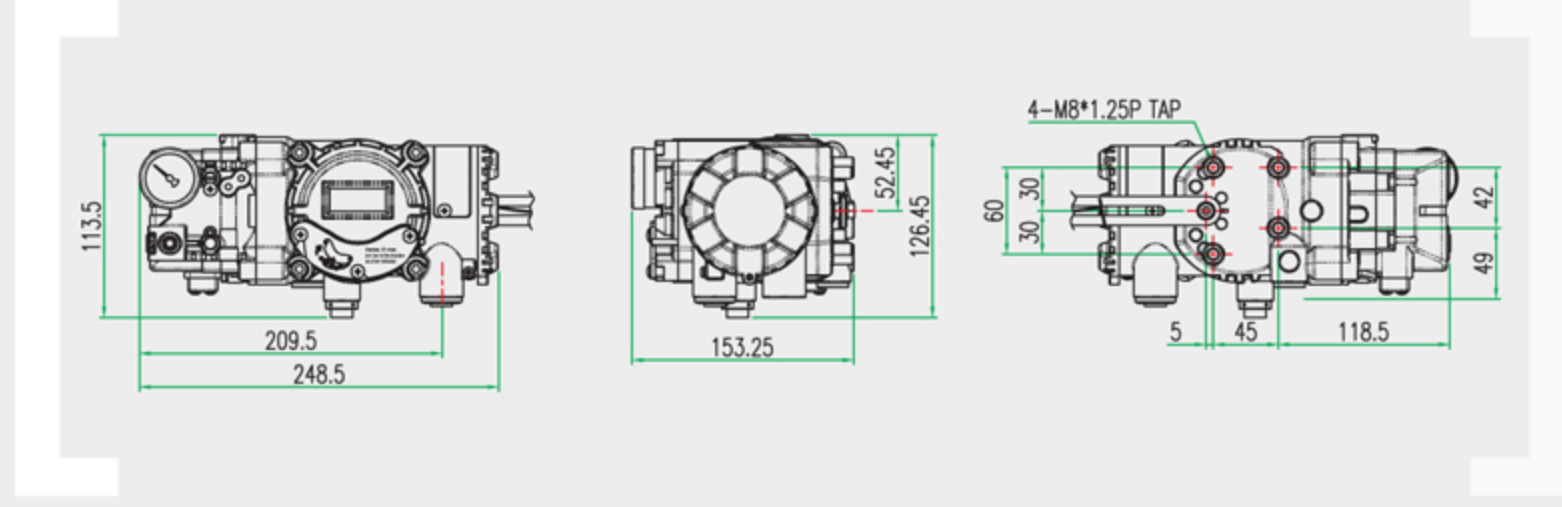




SP200A



SP200B



Item · Type	SP200A	SP200B
Input Signal	4~20mA DC	
Supply Pressure	0.14~0.7MPa(1.4~7 bar)	
Stroke	Linear Type	10~150mm
	Rotary type	0 ~ 90°
Impedance	Max.450Ω @ 20mA DC	
Air Connection	PT(NPT)1/4	NPT 1/4
Gauge Connection	PT(NPT)1/8	NPT 1/8
Conduit	PF1/2 (G1/2)	
Ambient Temp.	Standard Type.	-30°C ~ 85°C (-22~185° F)
	Low Temp Type.	-40°C ~ 85°C (-40~185° F)
	Explosion Temp.	-40°C~70°C(T6) / -40°C~85°C(T5)
	LCD Operating Temp.	-30°C ~ 85°C (-22~185° F)
Linearity	±0.5% F.S.	
Hysteresis	±0.5% F.S.	
Sensitivity	±0.2% F.S.	
Repeatability	±0.3% F.S.	
Air Consumption	Below 2LPM (sup=0.14MPa)	
Flow Capacity	70LPM (sup=0.14MPa)	
Output Characteristics	Linear, EQ%, Quick Open user set (16 Point)	
Material	Aluminum Diecasting	Stainless Steel 316
Enclosure	IP66	
Explosion Proof Type	Ex d IIC T6 / T5	
Weight	3.4kg (7.5lb)	7.0kg(15.4lb)

Smart Valve Positioner accurately controls valve stroke, according to input signal of 4-20mA being delivered from controller.

- Auto calibration
- Auto/Manual switch
- LCD display
- PID control
- Feedback signal
- Limit switches
- HART communication
- 4 buttons for local control