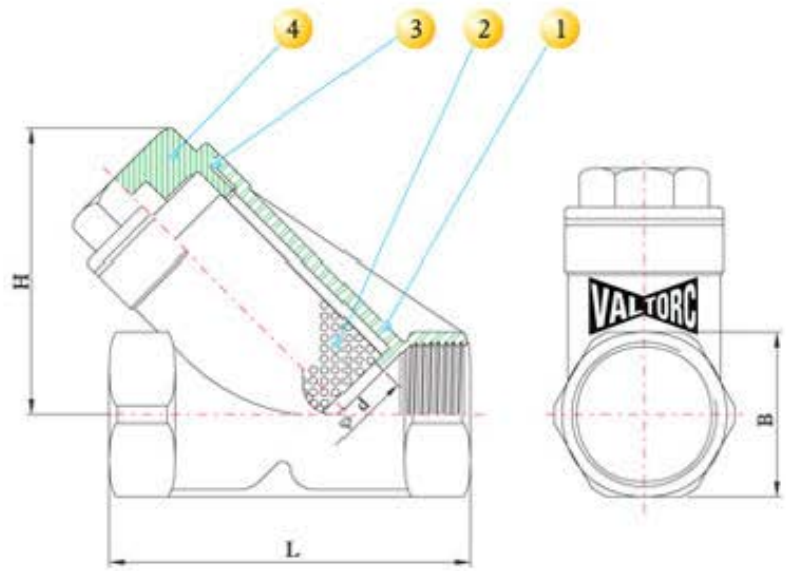


DESIGN FEATURES:

- Body: ASTM A351 Gr.CF8M
- Screen: SS316
- Packing: PTFE.
- Working Pressure: 800 psi
- TEST STANDARD: API 598
- End Connections: Threaded End
Socket-Weld End
- Threaded Type:
ANSI B1.20.1 (NPT)
DIN 259 / DIN 2999
ISO 228
BSP
PT

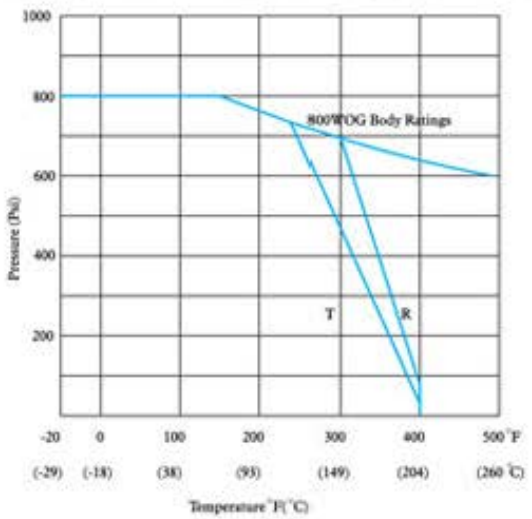
Y STRAINER, THREADED, SOCKET-WELD 800# SERIES 400



MATERIALS LIST

NO.	PART NAME	MATERIAL	QTY
1	BODY	ASTM A351 Gr.CF8M	1
2	SCREEN	SS316	1
3	GASKET	TEFLON	1
4	CAP	ASTM A351 Gr.CF8M	1

PRESSURE TEMPERATURE RATINGS



DIMENSIONS

SIZE		d		B		H		L		Weight	
inch	mm	inch	mm	inch	mm	inch	mm	inch	mm	Kg	Lb
1/4"	8	0.31	8	1.02	26	2.01	51	2.56	65	0.24	0.53
3/8"	10	0.39	10	1.02	26	2.01	51	2.56	65	0.23	0.50
1/2"	15	0.59	15	1.02	26	2.01	51	2.56	65	0.23	0.50
3/4"	20	0.79	20	1.30	33	2.36	60	3.15	80	0.36	0.79
1"	25	0.98	25	1.61	41	2.83	72	3.54	90	0.70	1.54
1 1/4"	32	1.26	32	1.93	49	3.03	77	4.13	105	0.90	1.98
1 1/2"	40	1.57	40	2.20	56	3.43	87	4.72	120	1.20	2.64
2"	50	1.97	50	2.72	69	4.06	103	5.51	140	1.90	4.19
2 1/2"	65	2.56	65	3.43	87	4.72	120	6.69	170	4.30	9.47
3"	80	3.15	80	4.02	102	5.51	140	7.87	200	6.30	13.88