

## DESIGN FEATURES:

- Steam rating: 150 psi WSP
- WORKING PRESSURE : 2000 PSI
- INVESTMENT CASTING BODY & CAP
- PTFE SEAL KITS : REPLACES PTFE ,RPTFE AND FPA  
 LOW DEFORMATION UNDER LOAD  
 LOW PERMEATION
- TEMPERATURE RATING : -45.5°C (-50°F) to 246°C (475°F)
- LONG CYCLE LIFE
- ADJUSTABLE STEM PACKING
- BLOW-OUT PROOF STEM
- LOCKING DEVICE
- DESIGN SPECIFICATION : ANSI B16.34 CLASS 900
- TEST STANDARD:API 598
- Vacuum Service to 29" Hg
- NACE MR-0175 FULL COMPLIANCE

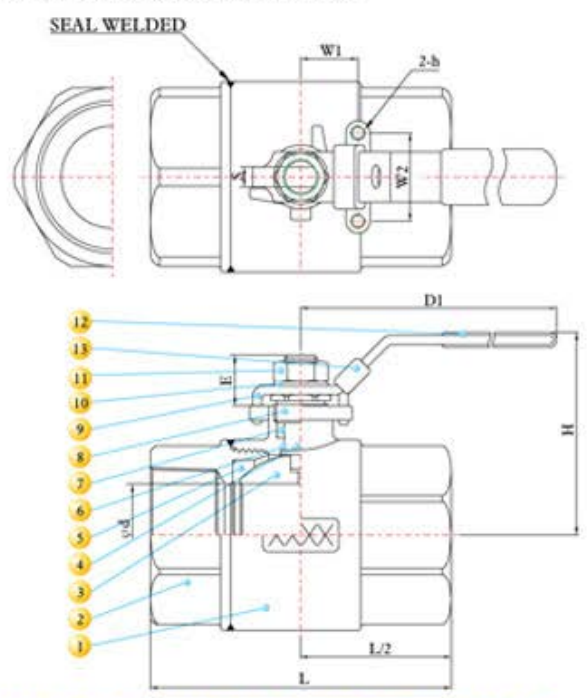
## BALL VALVE SERIES 115



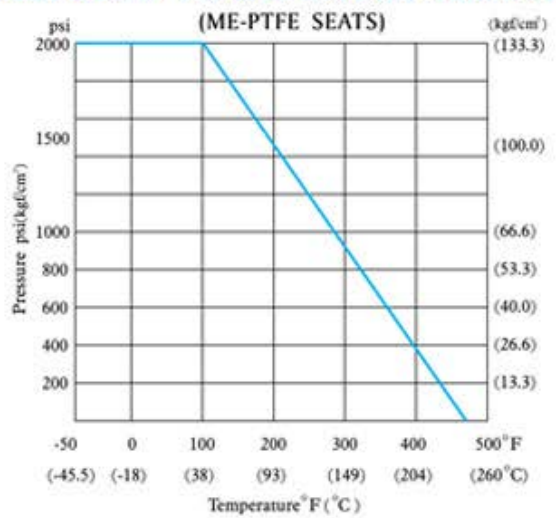
## MATERIALS LIST

NO.	PART NAME	MATERIAL	QTY
1	BODY	ASTM A351 Gr.CF8M	1
2	CAP	ASTM A351 Gr.CF8M	1
3	BALL	ASTM A351 Gr.CF8M	1
4	STEM	ASTM A276 Gr.316	1
5	SEAT	ME-PTFE *	2
6	THRUST WASHER	ME-PTFE *	1
7	PACKING	ME-PTFE *	1
8	GLAND	ME-PTFE *	1
9	HANDLE	SS304	1
10	SPRING WASHER	SS304	1
11	HANDLE NUT	SS304	1
12	HANDLE SLEEVE	VINYL GRIP	1
13	LOCKING PLATE	SS304	1

\* ME-PTFE IS Molecularly Enhanced PTFE



## PRESSURE TEMPERATURE RATINGS



## DIMENSIONS

SIZE	d	L	E	S	H	D1	W1	W2	h	CV	Weight										
inch	mm	inch	mm	inch	mm	inch	mm	inch	mm	(Option) Factor	Kg	Lb									
1/4"	8	0.43	11.0	2.34	59.5	0.61	15.5	0.21	5.45	2.24	57.0	4.06	103	0.50	12.7	1.12	28.5	M5*P0.8	16	0.37	0.81
3/8"	10	0.49	12.5	2.34	59.5	0.61	15.5	0.21	5.45	2.24	57.0	4.06	103	0.50	12.7	1.12	28.5	M5*P0.8	16	0.36	0.79
1/2"	15	0.59	15.0	2.54	64.5	0.57	14.5	0.21	5.45	2.27	57.6	4.06	103	0.50	12.7	1.12	28.5	M5*P0.8	26	0.42	0.93
3/4"	20	0.79	20.0	3.03	77.0	0.80	20.3	0.24	6.20	2.70	68.5	5.00	127	0.88	22.4	1.38	35.0	M6*P1.0	55	0.80	1.76
1"	25	0.98	25.0	3.56	90.5	0.75	19.0	0.24	6.20	2.86	72.7	5.00	127	0.88	22.4	1.38	35.0	M6*P1.0	110	1.24	2.73
1-1/4"	32	1.26	32.0	3.92	99.5	1.10	27.9	0.37	9.40	3.45	87.7	6.14	156	1.00	25.4	1.50	38.1	M6*P1.0	180	2.05	4.52
1-1/2"	40	1.50	38.0	4.65	118.0	1.05	26.7	0.37	9.40	3.66	93.0	7.60	193	1.00	25.4	1.50	38.1	M6*P1.0	270	2.58	5.68
2"	50	2.00	50.8	5.37	136.5	1.05	26.7	0.37	9.40	4.11	104.3	7.60	193	1.00	25.4	1.50	38.1	M6*P1.0	500	4.43	9.76