

VALTORC

WWW.VALTORC.COM
AJBENTAL@VALTORC.COM
1 (866) VALTORC

STAINLESS STEEL BODY BUTTERFLY VALVE



**SERIES
1400**

LEVER
GEAR
PNEUMATIC
ELECTRIC OPERATED

SIZES 1.5" - 12.0"

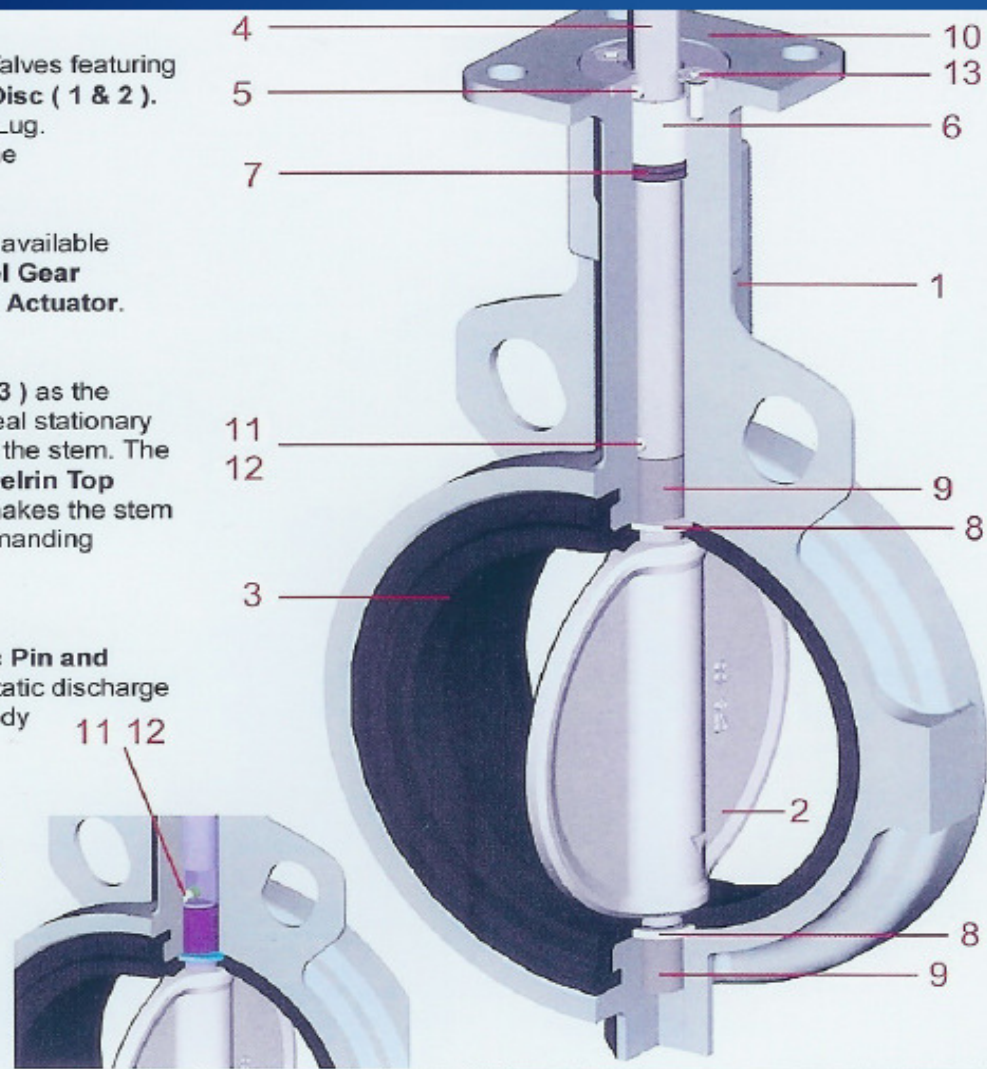


VALTORC introduces a new line of Butterfly Valves featuring an **Investment Cast Stainless Steel Body and Disc (1 & 2)**. Sizes range from 1.5" to 12.0" in both Wafer and Lug. These valves have the same basic features as the standard **SS-1000** valve, but incorporates **RTFE Coated Stainless Steel Bushings (9)**, **Stainless Steel Q-Pin Retainer Plate (13)**, and available **Stainless Steel Lever Operator**, **Stainless Steel Gear Operator** or **Direct Mount Stainless Pneumatic Actuator**.

Stem sealing is accomplished utilizing the **Seat (3)** as the primary seal. The **Back-up ring (8)** keeps the seal stationary should there be deflection or lateral movement of the stem. The captured **Double O-Ring Seal (7)** isolates the **Delrin Top Bushing (6)**. This triple seal / bushing system makes the stem isolation secure and reliable even in the most demanding applications.

This product is also furnished with an **Anti-Static Pin and Spring (11 & 12)**, eliminating the possibility of static discharge due to the isolation of the stem / disc from the body by the seat and stem bushings.

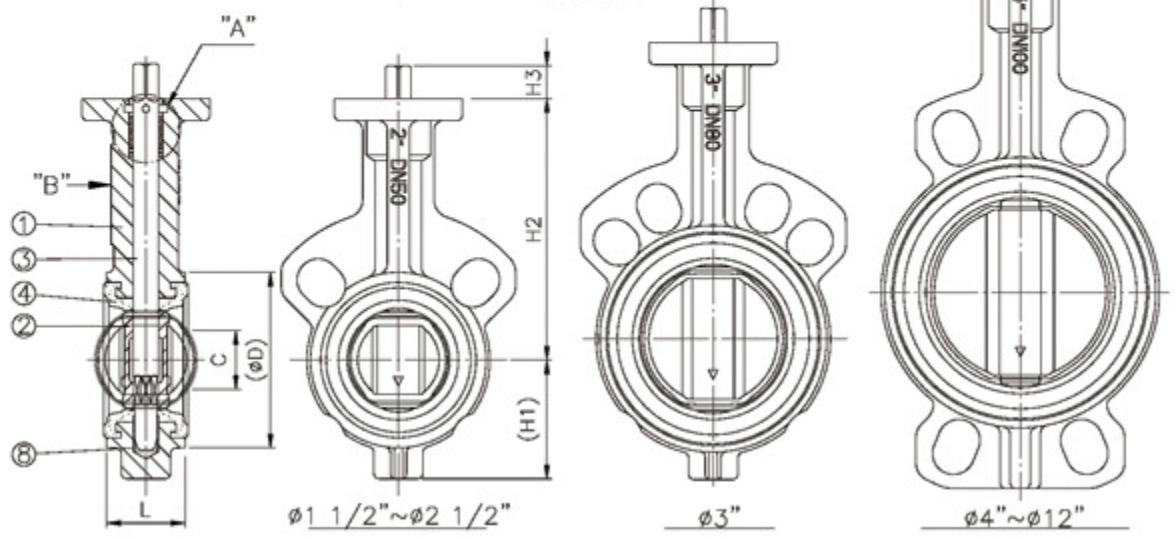
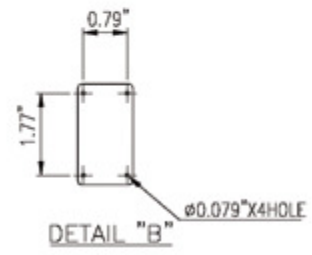
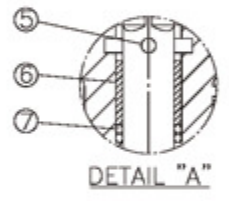
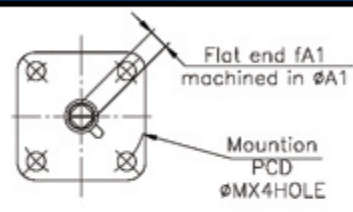
The combination of all these features make this series of valves an excellent choice for applications in **Aggressive Atmospheres** and in **Harsh Washdown Situations** often incurred in **Food Plants**.



| No. | Name | Materials | Specification | | Remark |
|-----|-------------------|----------------------|---------------|---------------|------------------------------|
| | | | JIS | ASTM | |
| 1 | BODY | STAINLESS STEEL | SCS 13 | A351 CF8 | |
| | | | SCS 14 | A351 CF8M | |
| 2 | DISC | STAINLESS STEEL | SCS 13 | A351 CF8 | |
| | | | SCS 14 | A351 CF8M | |
| 3 | SEAT | NBR (NITRILE) | | | -10° ~ 80°C (14° ~ 176°F) |
| | | EPDM (White) | | | -20° ~ 120°C (-4° ~ 248°F) |
| | | NEOPRENE (CR) | | | 0° ~ 80°C (32° ~ 176°F) |
| | | SILICON | | | -20° ~ 180°C (-4° ~ 356°F) |
| | | HYPALON (CSM) | | | -20° ~ 135°C (-4° ~ 275°F) |
| | | VITON | | | -18° ~ 204°C (-0.4° ~ 400°F) |
| 4 | STEM | STAINLESS STEEL | SCS 410 | A182 F6A | |
| | | | SCS 304 | A182 F304 | |
| | | | SCS 316 | A182 F316 | |
| 5 | PIN | STAINLESS STEEL | SCS 316 | A182 F316 | |
| 6 | BUSH | DELIN | | | |
| 7 | O-RING | NBR (NITRILE) | | | |
| 8 | BACK-UP RING | PLASTIC | | | |
| 9 | BUSH | RTFE+STAINLESS STEEL | RTFE+SUS 316 | RTFE+A240 316 | |
| 10 | STEM RETAINER | STAINLESS STEEL | SUS 304 | A240 F304 | |
| 11 | PIN (ANTI-STATIC) | STAINLESS STEEL | SUS 316 | A182 F316 | |
| 12 | SPRING | STAINLESS STEEL | SUS 304 | A182 F304 | |
| 13 | SCREW | STAINLESS STEEL | SUS 304 | A193 B8 | |

MATERIAL TABLE(ASTM)

| BODY | DISC | SEAT | STEM |
|--------|-----------|-------|-----------|
| A126-B | A395 | NBR | A182-F6A |
| A395 | A351-CF8 | EPDM | A182-F304 |
| | A351-CF8M | CR | A182-F316 |
| | B148-954 | VITON | |



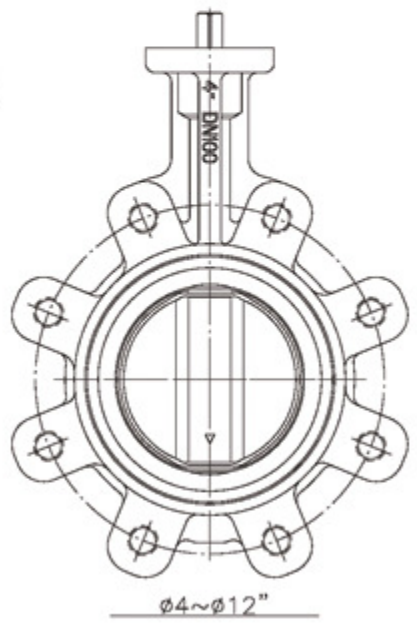
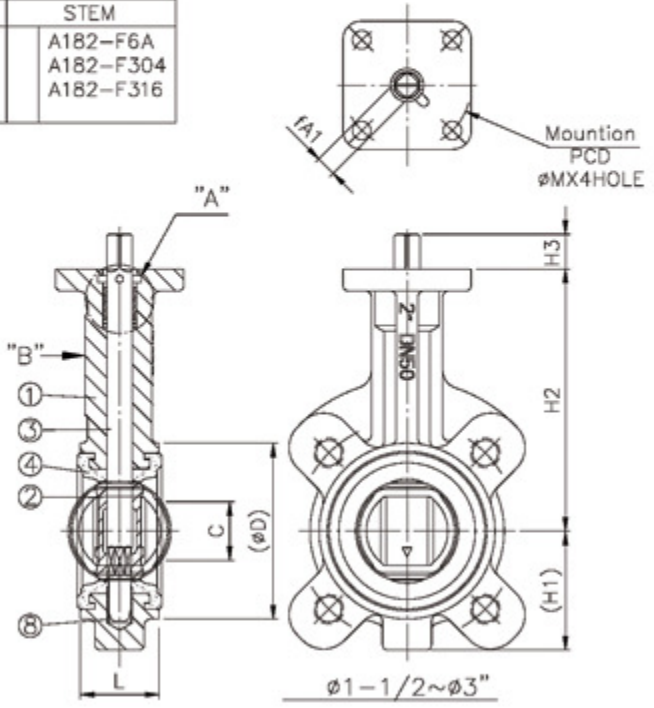
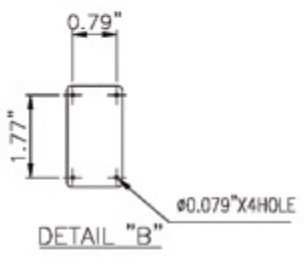
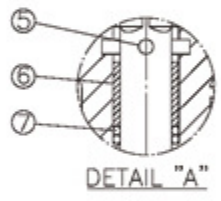
| NOM. SIZE | L | ϕD | H1 | H2 | $\phi A1$ | C | FA1 | H3 | Mountion | PCD | ϕM |
|-----------|-------|----------|-------|--------|-----------|--------|-------|-------|----------|-------|----------|
| 1 1/2" | 1.30" | 3.19" | 2.36" | 4.72" | 0.55" | 1.34" | | | | | |
| 2" | 1.69" | 3.78" | 2.56" | 5.63" | 0.55" | 1.54" | | | | | |
| 2 1/2" | 1.81" | 4.33" | 2.80" | 6.10" | 0.55" | 2.17" | 0.43" | | | | |
| 3" | 1.81" | 4.88" | 3.03" | 6.38" | 0.55" | 2.72" | 0.75" | F07 | 2.76" | 0.39" | |
| 4" | 2.05" | 5.83" | 4.21" | 7.13" | 0.55" | 3.58" | | | | | |
| 5" | 2.20" | 7.09" | 4.80" | 7.76" | 0.71" | 4.53" | 0.55" | | | | |
| 6" | 2.20" | 8.11" | 5.51" | 8.27" | 0.71" | 5.51" | | | | | |
| 8" | 2.36" | 10.20" | 6.50" | 9.45" | 0.87" | 7.32" | 0.67" | | | | |
| 10" | 2.68" | 12.60" | 7.91" | 11.26" | 0.98" | 9.41" | 0.75" | 0.94" | F10 | 4.02" | 0.47" |
| 12" | 3.07" | 14.57" | 9.21" | 12.17" | 1.10" | 11.34" | 0.87" | | | | |

FACE TO FACE DIMENSIONS:
 ISO 5752 TABLE 5 SHORT.
 FLANGE:ANSI 125/150.
 BS TABLE E.
 JIS 10K.
 DIN PN10.
 DIN PN16.
 MOUNTING FLANGE:ISO 5211
 PRESSURE CLASS :230 PSI

| | | | |
|----------|----------------|------|--------------------|
| 8 | BOTTOM BUSHING | 1 | ASTM B62 |
| 7 | O-RING | 2 | NBR |
| 6 | UPPER BUSHING | 1 | DELTRIN |
| 5 | STOP PIN | 1 | ASTM A182 F316 |
| 4 | SEAT | 1 | SEE MATERIAL TABLE |
| 3 | STEM | 1 | |
| 2 | DISC | 1 | |
| 1 | BODY | 1 | |
| ITEM NO. | PART NAME | Q'TY | MATERIAL |

MATERIAL TABLE(ASTM)

| BODY | DISC | SEAT | STEM |
|----------------|--|-------------------------------|------------------------------------|
| A126-B A395 | A395NYL11 A351-CF8 A351-CF8M B148-954 | NBR EPDM EPDMW VITON | A182-F6A A182-F304 A182-F316 |



| NOM. SIZE | L | ØD | H1 | H2 | ØA1 | C | fA1 | H3 | Mountion | PCD | ØM |
|-----------|-------|--------|-------|--------|-------|--------|-------|-------|----------|-------|-------|
| 1 1/2" | 1.30" | 3.19" | 2.36" | 4.72" | 0.55" | 1.34" | 0.43" | 0.75" | F07 | 2.76" | 0.39" |
| 2" | 1.69" | 3.78" | 2.56" | 5.63" | 0.55" | 1.54" | | | | | |
| 2 1/2" | 1.81" | 4.33" | 2.80" | 6.10" | 0.55" | 2.17" | | | | | |
| 3" | 1.81" | 4.88" | 3.03" | 6.38" | 0.55" | 2.72" | | | | | |
| 4" | 2.05" | 5.83" | 3.50" | 7.13" | 0.55" | 3.58" | | | | | |
| 5" | 2.20" | 7.09" | 4.41" | 7.76" | 0.71" | 4.53" | 0.55" | 0.94" | F10 | 4.02" | 0.47" |
| 6" | 2.20" | 8.11" | 4.84" | 8.27" | 0.71" | 5.51" | | | | | |
| 8" | 2.36" | 10.20" | 5.91" | 9.45" | 0.87" | 7.32" | | | | | |
| 10" | 2.68" | 12.60" | 7.05" | 11.26" | 0.98" | 9.41" | 0.75" | | | | |
| 12" | 3.07" | 14.57" | 8.50" | 12.17" | 1.18" | 11.34" | 0.87" | | | | |

FACE TO FACE DIMENSIONS:
 ISO 5752 TABLE 5 SHORT.
 FLANGE:ANSI 125/150.
 BS TABLE E.
 JIS 10K.
 DIN PN10.
 DIN PN16.
 MOUNTING FLANGE:ISO 5211
 PRESSURE CLASS :16BAR.
 230 PSIG

| ITEM NO. | PART NAME | Q'TY | MATERIAL |
|----------|----------------|------|--------------------|
| 8 | BOTTOM BUSHING | 1 | ASTM B62 |
| 7 | O-RING | 2 | NBR |
| 6 | UPPER BUSHING | 1 | DELTRIN |
| 5 | STOP PIN | 1 | ASTM A182 F316 |
| 4 | SEAT | 1 | SEE MATERIAL TABLE |
| 3 | STEM | 1 | |
| 2 | DISC | 1 | |
| 1 | BODY | 1 | |