

SERIES 800-NPT/FLG



Main Features:

Normally closed or normally open.
 Pilot operated.
 Body: Forged brass or bronze, stainless steel, etc.
 Shape A DIN 43650 Connection encapsulated coils.
 IP65 and NEMA4 Protection.
 Core tube: 304 s.s. Core spring: 302 s.s. Core: 430 F s.s.
 Shading coil: copper (brass body) silver (s.s. body).

Applications:

- Pumps. Spraying. Laundry equipments.
- Irrigation. Compressors. Pollution controls.
- Heating with low or high pressure steam.
- Autoclaves. Laundry equipments.
- Spraying. Irrigation. Dishwashers.
- Air dryers. water treatment.

Options:

- Energized coil indicator light.
- Explosion and / or weather proof coils and housings.
- Manual operator on main passage.
- Manual operator on pilot orifice.

Operating pressure differential

*Advise: when using direct current (DC), a 25% reduction on the maximum operating pressure differential is expected

Type	Minimum				Maximum steam				Maximum other fluids			
	PTFE		Others		PTFE seat		EPDM seat		PTFE seat		Other seats	
	bar	psi	bar	psi	bar	psi	bar	psi	bar	psi	bar	psi
NC	0.5	7.5	0.2	3	10	150	3	45	17 *	255 *	15 *	225 *
NO	0.5	7.5	0.2	3	10	150	3	45	10	150	10	150

Technical specifications

Pipe size ins.	Orifice size		Flow factor		Weight		Maximum temp. according to seat material				
							Buna "N"	Neoprene	EPDM	FKM	PTFE
	mm	ins.	Kv	Cv	ka	Lb	80° C / 176° F	80° C / 176° F	150° C / 302° F	150° C / 302° F	180° C / 356° F
3/4"	20	0.79	5	5.9	1.2	2.6					
1"	26	1.02	11	13	1.7	3.8					
1.1/2"	38	1.50	25	29	3.1	6.8					
2"	50	1.97	40	47	4.1	9.0					
2.1/2"	76	3.00	66	77	19	42					
3"	76	3.00	85	99	18	40					
3/4"	20	0.79	5	5.9	1.2	2.6					
1"	26	1.02	11	13	1.7	3.8					
1.1/2"	38	1.50	25	29	3.1	6.8					
2"	50	1.97	40	47	4.1	9.0					
2.1/2"	76	3.00	66	77	19	42					
3"	76	3.00	85	99	18	40					

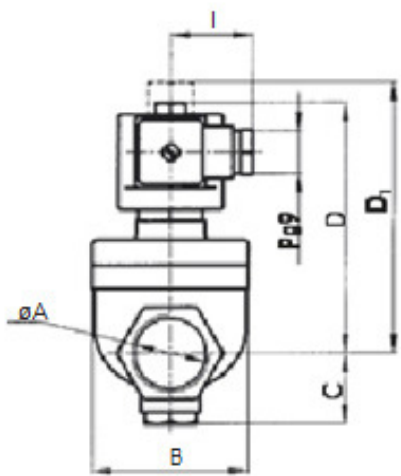
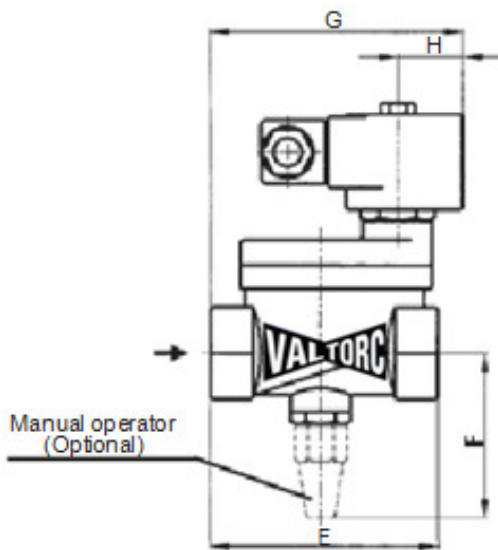
Coil characteristics

Electric power supply	Power W	VA (volt-ampere)		Maximum temperature		Available tensions
		Inrush	Holding	° C	° F	
AC 50Hz	11	40	22	155	311	1
	11	40	22	180	356	1
AC 60Hz	13	45	27	155	311	2
	13	45	27	180	356	2
DC	19	19	19	180	356	3

1-(12,24,110,220,240)V 2-(12,24,110,120,220,240)V 3-(12,24,110,220)V

Available in 304/316 Stainless Steel

General Dimensions:



Options
Water, weather and saline corrosion proof coils.
Explosion and weather proof coils.
Weather proof housing.
Explosion and weather proof housing.
Manual operator: on main orifice
Manual operator on pilot orifice
NPT connections
Energized coil indicator light

øA	B	C	D	D ₁	E	F	G	H	I
R 3/4"	52	26	104	114	71	68	84	27	35
R 1"	67	30	108	118	96	72	104		
R 1.1/2"	81	36	119	129	114	79	122		
R 2"	97	44	125	135	128	85	138		
R 2.1/2"-3"	163	89	214	224	224	170	134		

Measurements: mm

øA	B	C	D	D ₁	E	F	G	H	I
R 3/4"	2.05	1.02	4.09	4.49	2.80	2.68	3.31	1.06	1.38
R 1"	2.64	1.18	4.25	4.65	3.78	2.83	4.09		
R 1.1/2"	3.19	1.42	4.69	5.08	4.49	3.11	4.80		
R 2"	3.82	1.73	4.92	5.31	5.04	3.35	5.43		
R 2.1/2"-3"	6.42	3.50	8.43	8.82	8.82	6.69	5.28		

Measurements: ins.

Application according to seat material

Seat material	Buna "N"	Neoprene	EPDM	FKM	PTFE
Maximum temperature	+80° C / 176° F	+80° C / 176° F	+150° C / 302° F	+150° C / 302° F	+180° C / 356° F
Uses	Water, air, light oils, kerosene, low and medium vacuum.	Oxvaen. alcohol. aron. other non-corrosive light gases and liquids. Freon 12.	Water steam. hot water. acetone.	Benzene, naphta, aromatics, etc. hot gases, high vacuum, dies el oil.	Steam, hot oils, corrosive fluids.

***Optional Adder: Flanged 150# Stainless Steel for Series 800-NPT-FLG**