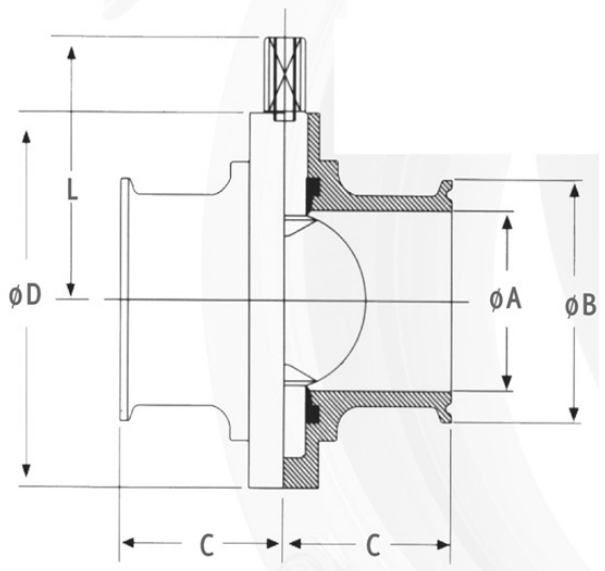


SANITARY BUTTERFLY VALVE



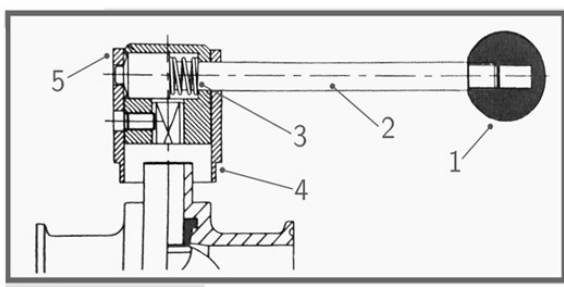
FEATURES & OPTIONS

- » ASTM 316L grade stainless steel
- » Surface finish meets 3-A, FDA & USDA standards
- » 316L mirror finish disc provides an even flow preventing obstructions and restrictions
- » Opposing body bolt design prevents loosening between body sections due to vibration and operation, and provides positive sealing
- » Bolting is flush with body surface
- » FDA approved available options: silicone, EPDM and VITON®
- » 13-position, 304SS, spring loaded lever lock handle ½"-6"
- » Standard: Tri-Clamp® or Butt-Weld; other options available
- » Suitable for actuation with pneumatic, electric, or canister actuators
- » 110 PSI @ 200°F (Approx. 95°C)

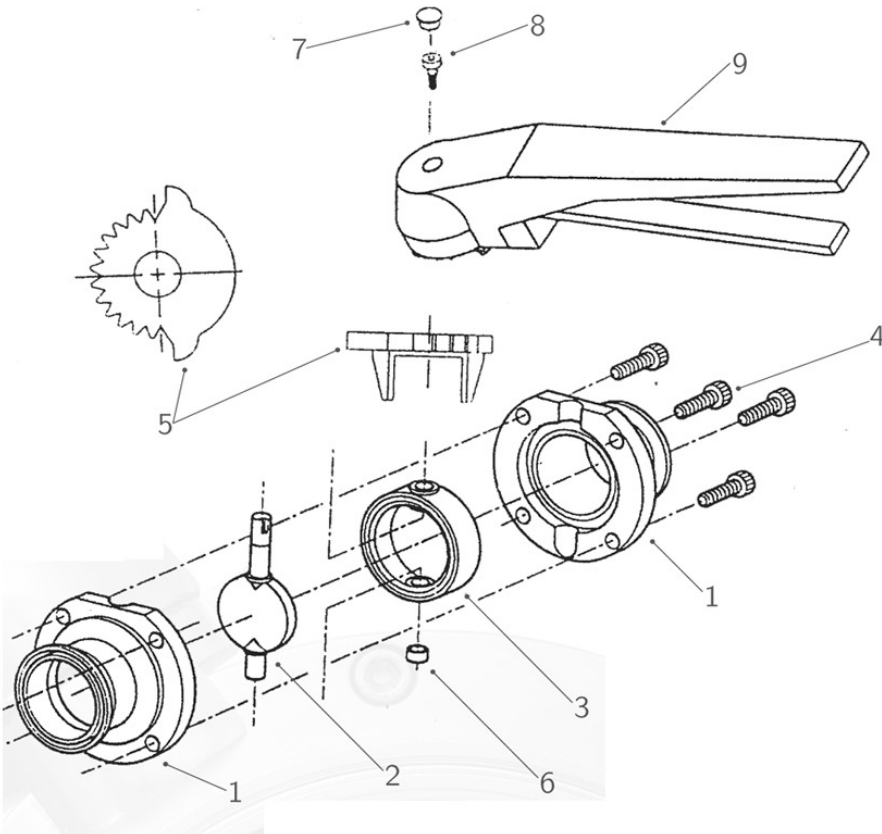


Size	A	B	C	D	L
½	3.00	1.00	1.75	3.10	2.16
¾	3.00	1.00	1.75	3.10	2.16
1	0.87	1.99	1.75	3.11	2.40
1½	1.37	1.99	1.75	3.35	2.53
2	1.87	2.52	1.87	4.13	2.93
2½	2.37	3.05	1.91	4.41	3.06
3	2.84	3.58	2.03	4.92	3.32
4	3.84	4.69	2.39	6.18	4.00
6	5.84	6.57	3.00	8.20	6.35
6-DJ	5.84	6.57	2.87	8.46	6.36
8	7.93	8.54	3.28	11.22	7.83
10	9.90	10.57	3.28	11.22	8.95
12	11.90	12.56	2.87	13.46	9.09

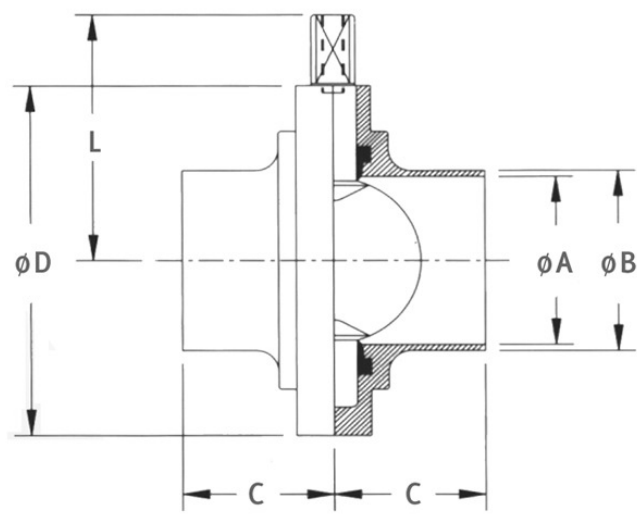
Item	Part	Material
1	Knob	Technopolymer
2	Steel Bar	Stainless Steel
3	Spring	Stainless Steel
4	Casing	Stainless Steel
5	Holder	Stainless Steel



Handle for sizes 8"-12"



Item	Part (Qty)	Material
1	Body Half (2)	316L
2	Disc	316L
3	Seal	Silicone/EPDM/VITON®
4	Body Bolts (4)	304 SS
5	Notch Plate	316 SS
6	Body Cap	BUNA-N
7	Handle Cap	BUNA-N
8	Handle Screw	304 SS
9	13-Position Handle	304 SS



Standard Short Butt-Weld

Size	A	B	C	D	L
1	0.87	1.0	1.0	3.43	2.40
1½	1.37	1.50	1.0	3.82	2.53
2	1.87	2.00	1.0	4.33	2.93
2½	2.37	2.50	1.0	4.33	3.06
3	2.84	3.00	1.61	4.92	3.32
4	3.84	4.00	1.73	6.18	4.00
6	5.84	6.00	2.75	8.20	8.35
6-DJ	5.84	6.00	1.77	8.46	6.36
8	7.93	8.00	1.77	11.22	7.83
10	9.90	10.00	1.77	11.22	8.95
12	11.90	12.00	1.77	13.46	9.09

Optional Long Butt-Weld

Size	A	B	C	D	L
1	0.87	1.00	1.34	3.11	2.40
1½	1.37	1.50	1.50	3.35	2.53
2"	1.87	2.00	1.57	4.13	2.93
2½	2.37	2.50	1.57	4.41	3.06
3	2.84	3.00	1.25	5.00	3.32
4	3.84	4.00	1.25	6.30	0.16
6	5.84	6.00	2.75	8.20	6.36
6-DJ	5.84	6.00	2.63	8.46	6.36
8	7.93	8.00	3.00	11.22	7.83
10	9.90	10.00	3.00	11.22	8.95
12	11.9	12.00	2.50	13.46	9.09