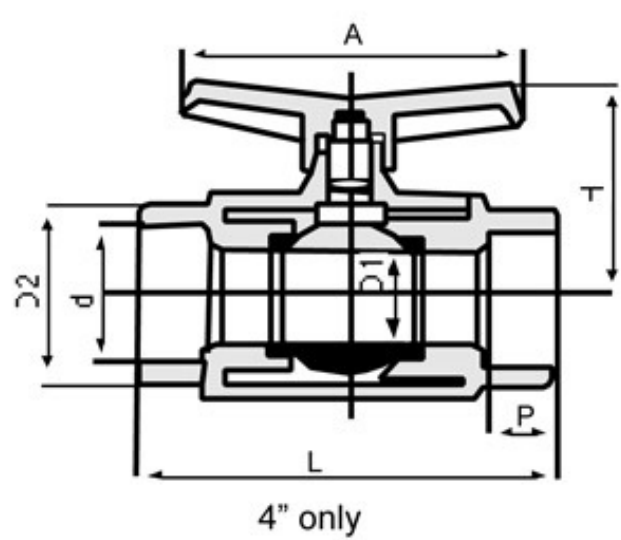
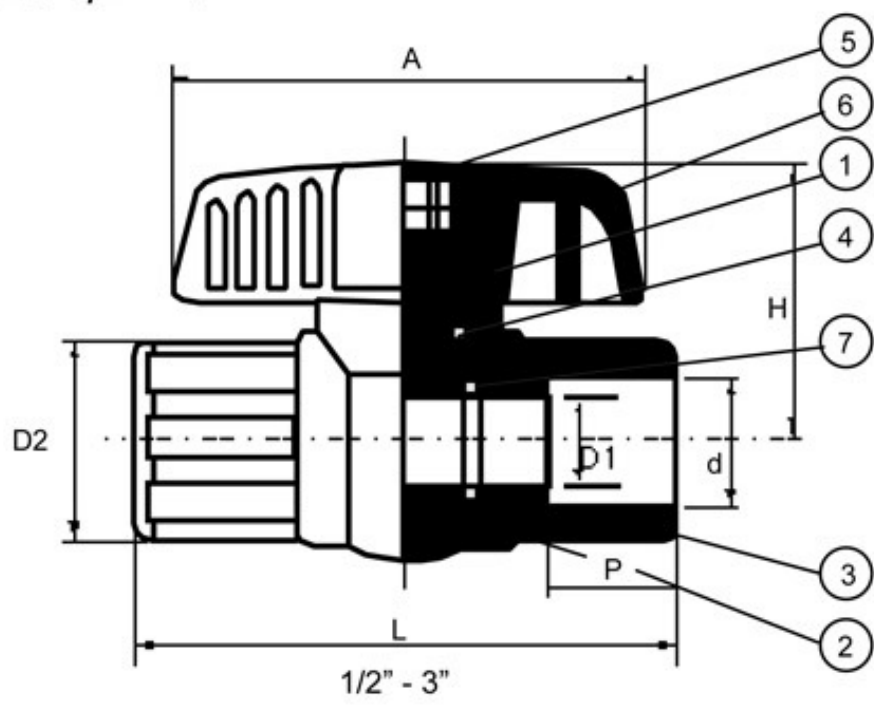


COMPACT BALL VALVE

SIZE: 1/2" - 4"

SERIES PVC-365



Materials of Construction

Item	Parts	Pcs	Materials
1	Stem	1	PVC, CPVC
2	Ball	1	PVC, CPVC
3	Body	1	PVC, CPVC
4	Stem O-Ring	1	EPDM, VITON®

Item	Parts	Pcs	Materials
5	Cap	1	ABS
6	Handle	1	ABS
7	Seat	2	EPDM, TEFLON®, VITON®

TEFLON® is a trademark of DuPont Performance Elastomers

Ansi Dimensions

Size Inch	D ₁	Socket	d	Thread	P	L	D ₂	H	A	Body Test Press PSI
1/2"	0.591	0.840		NPT 1/2"	0.875	3.110	1.378	1.820	2.756	222
3/4"	0.787	1.050		NPT 3/4"	1.000	3.543	1.575	2.244	3.031	222
1"	0.984	1.315		NPT 1"	1.125	4.134	1.890	2.402	3.504	222
1 1/4"	1.260	1.660		NPT 1 1/4"	1.250	4.764	2.126	2.598	3.504	222
1 1/2"	1.535	1.900		NPT 1 1/2"	1.375	5.000	2.441	2.913	4.370	222
2"	1.969	2.375		NPT 2"	1.500	5.866	2.953	3.150	5.472	222
2 1/2"	1.969	2.875		NPT 2 1/2"	1.750	7.638	3.622	4.213	6.378	222
3"	2.559	3.500		NPT 3"	1.875	9.173	4.409	5.512	7.480	148
4"	3.071	4.500		NPT 4"	2.250	9.606	5.236	6.575	9.055	148

Testing performed on PVC materials at 73°F water temperature, non-shock.