

SERIES 445 MULTI-PORT BALL VALVES HIGH PERFORMANCE 4-WAY, 3000PSI

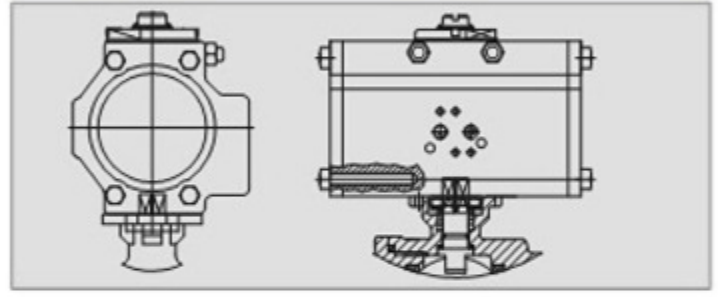
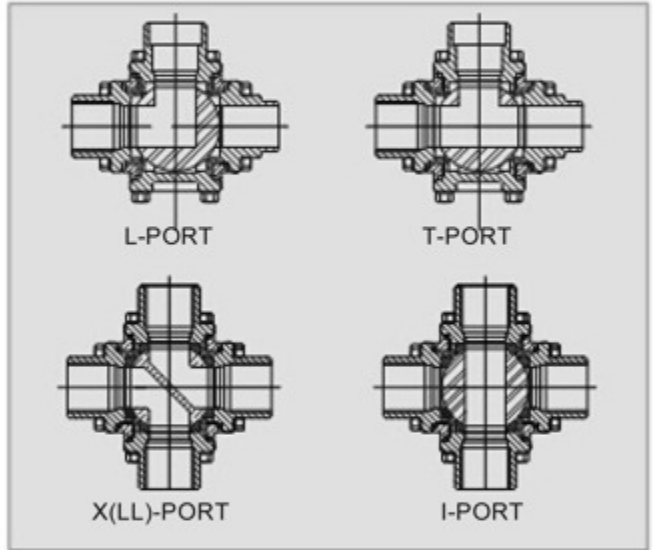


SPECIFICATIONS

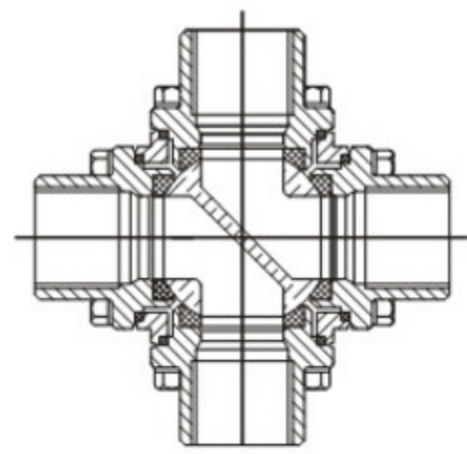
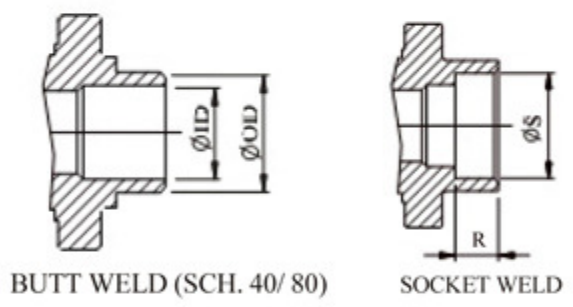
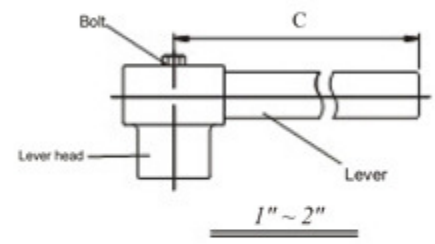
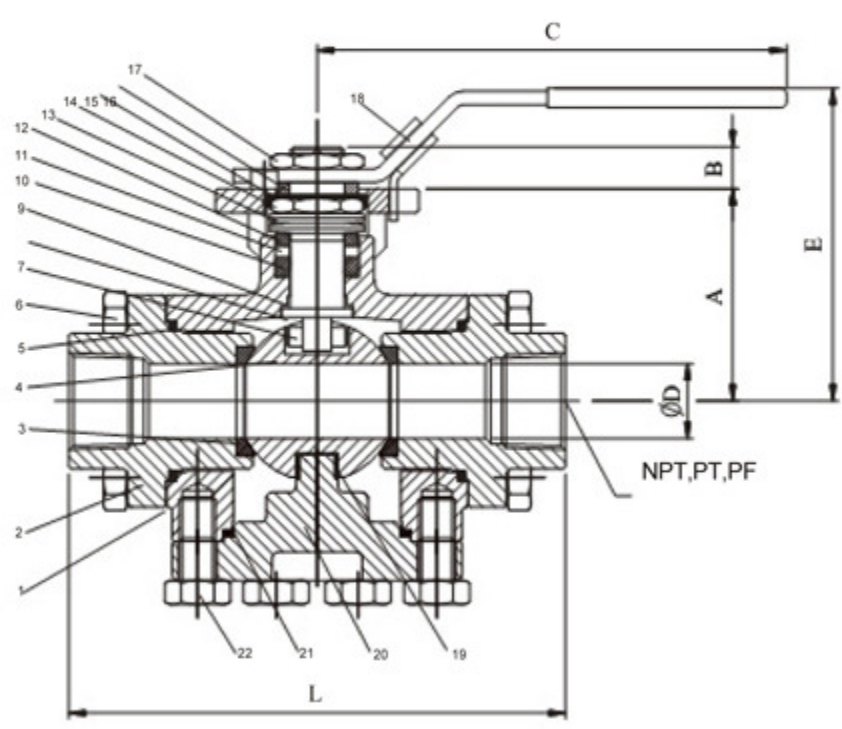
- * Body & end caps quality investment casting
- * Construction design follow ASME B16.34 standard
- * Available in stainless steel or carbon steel
- * with ISO 5211 direct mounting pad
- * Adjustable stem packing
- * Blow-out proof stem design
- * Available in L/ T/ X/ I-port
- * Trunnion and Full bore design
- * Available in 3/4 way in block body type.
- * 100% air tested under water at 80-100 psi
- * Temperature range -20 F to 450 F
- * End type: thread/ socket weld/ butt weld

OPTIONS

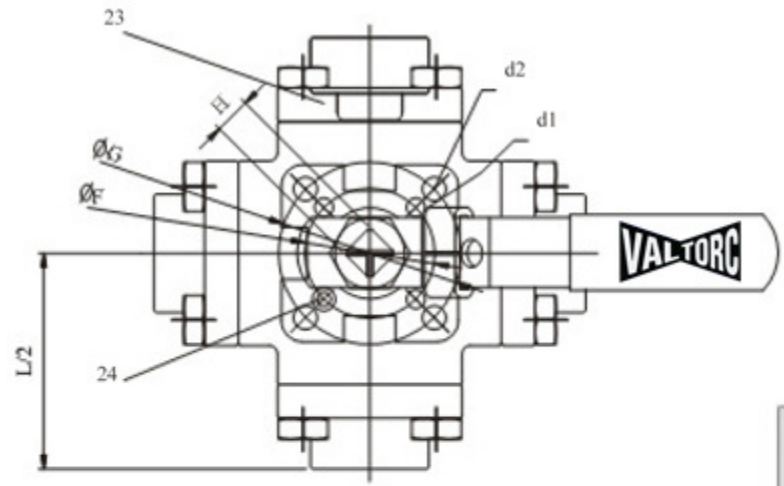
- * Automation application
- * PTFE/ PFA coating (40-70 um)
- * Available in DELRIN/ PEEK/ PEEK+30% Carbon seat *
- Cavity filler
 - * 180 degree operation stop plate
 - * Hastelloy C, Alloy 20, Super Duplex, Monel
 - * Fire safe design




- ISO direct mount for actuator assembling directly.
- * Pneumatic (DA or SR)/ Electric actuator
 - * Solenoid valve/ Limit Switch Box/ EP



4 WAY "LL"(X) PORT

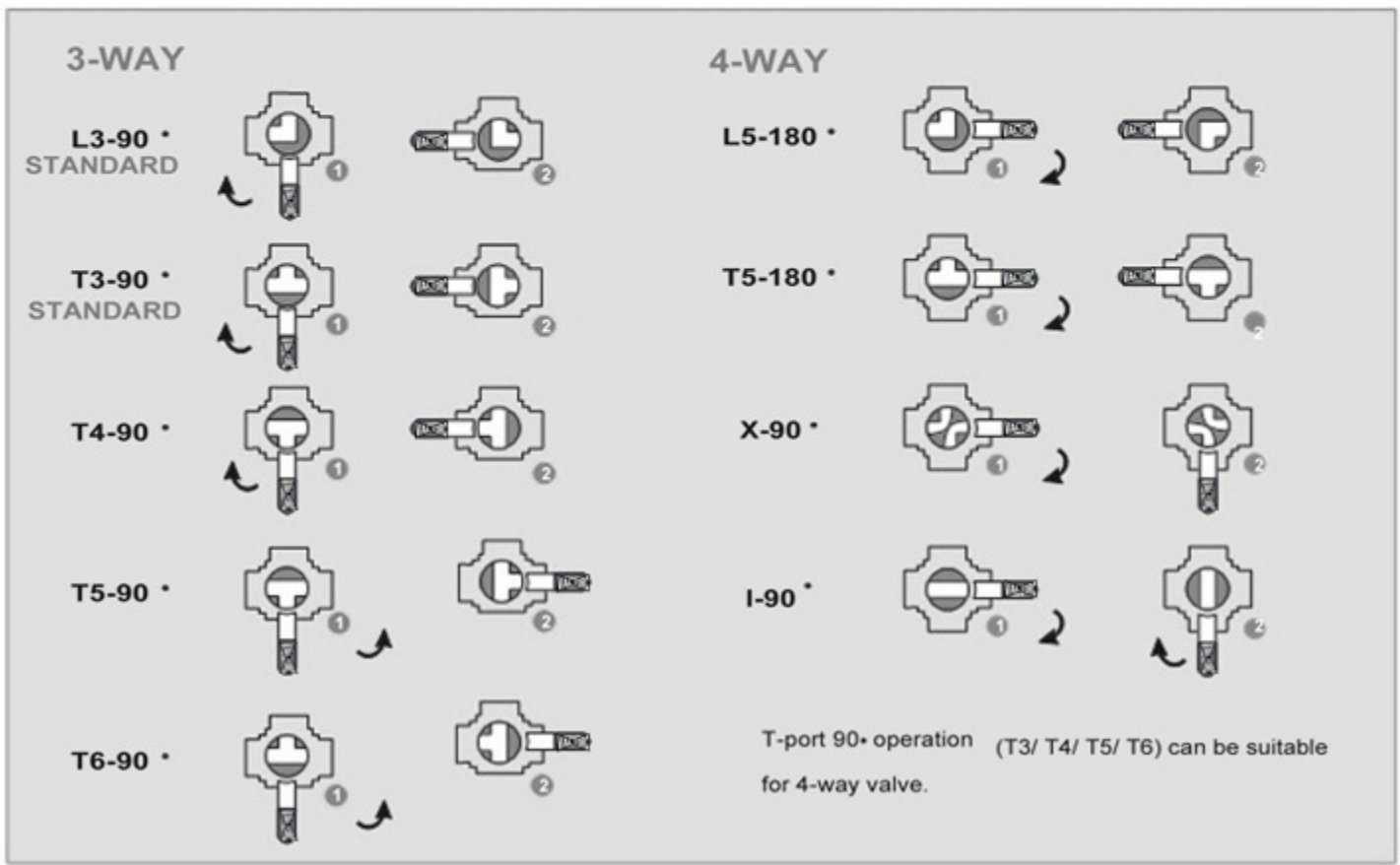


 Series 445 ball valve is available for 180 operation. This design will allow more flow patterns to be use in your pipe works. Customer just have to change a 180° stop plate for this option. 180 stop plate

DIMENSIONS, 1/4" to 2" (mm)

FULL PORT	A	B	C	D	E	F	G	d1	d2	H	L	SW		BW(40#)		BW(#80)	
												S	R	OD	ID	OD	ID
1/4"	52	11	160	11	82	-	50	-	7.2	11	120	14.2	11.1	13.7	10	13.7	7.5
3/8"	52	11	160	12	82	-	50	-	7.2	11	120	17.5	11.1	17.1	12	17.1	10.7
1/2"	52	11	160	15	82	-	50	-	7.2	11	120	21.7	12.7	21.3	15.7	21.3	13.9
3/4"	63	11	160	20	93	-	50	-	7.2	11	152	27.1	14.3	26.7	20.9	26.7	18.9
1"	71	14	250	25	115	50	70	7.2	9.2	14	166	33.8	15.9	33.4	26.6	33.4	24.2
1 1/2"	92	17	250	38	135	70	102	9.2	11.4	17	217	48.6	19.1	48.3	40.9	48.3	38.1
2"	123	26	310	50	183	102	125	11.4	13.5	22	266	61.1	22.2	60.3	52.5	60.3	49.3

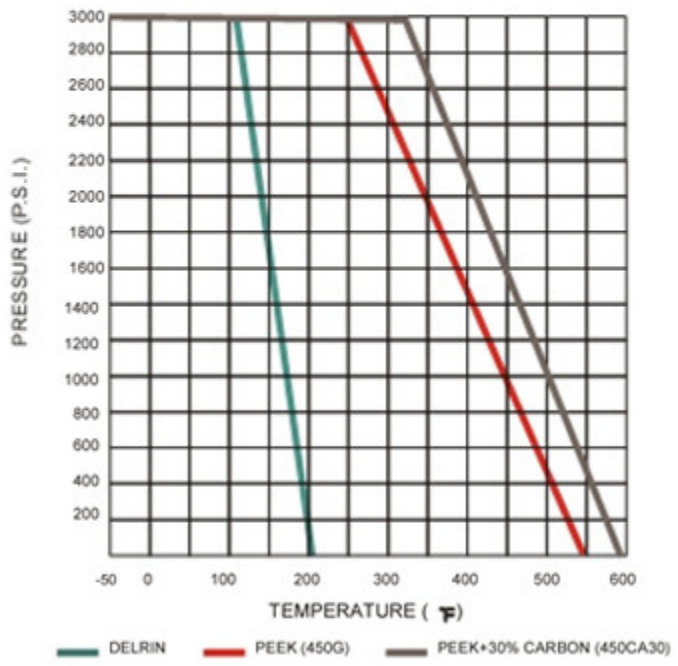
FLOW PATTERN

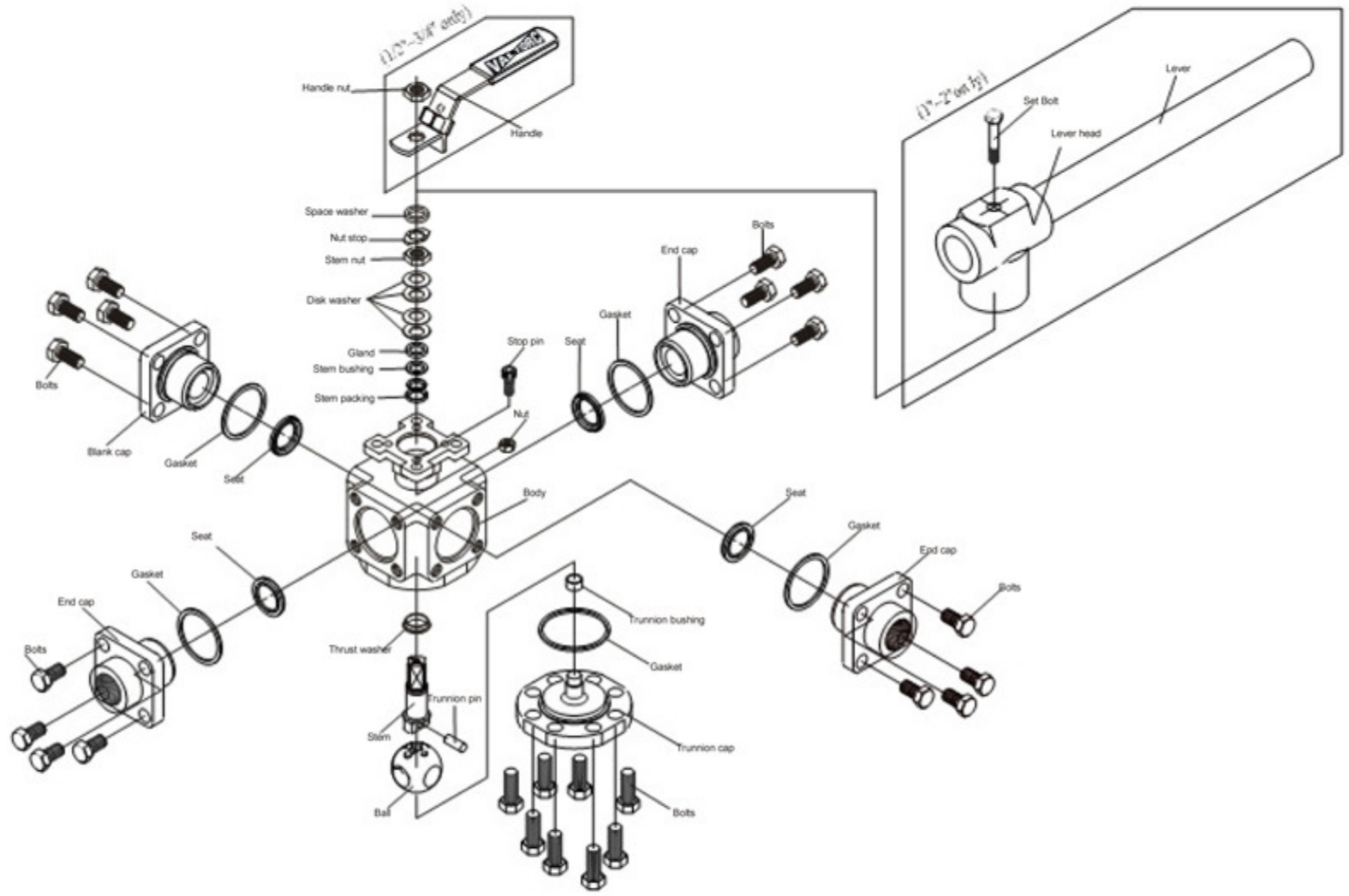


MATERIALS LIST, 1/4" to 2"

ITEM	PART NAME	MATERIALS
1	BODY	CF8M/ WCB
2	END CAP	CF8M/ WCB
3	SEAT	DELIRIN/ PEEK
4	BALL	SS 316
5	GASKET	TFM/ GRAPHITE
6	BOLTS	SS 304
7	TRUNNION PIN	SS 316
8	STEM	SS 316
9	THRUST WASHER	PEEK
10	STEM PACKING	TFM/ GRAPHITE
11	STEM BUSHING	DELIRIN/ PEEK
12	GLAND	SS 304
13	DISK WASHER	SS 301
14	STEM NUT	SS 304
15	NUT STOP	SS 304
16	SPACE WASHER	SS 304
17	HANDLE NUT	SS 304
18	HANDLE	SS 304
19	TRUNNION BUSHING	DELIRIN/ PEEK
20	TRUNNION CAP	CF8M/ WCB
21	GASKET	TFM/ GRAPHITE
22	TRUNNION BOLT	SS 304
23	BLANK CAP	CF8M/ WCB
24	STOP PIN	SS 304

PRESSURE/ TEMPERATURE





BREAK-TORQUE VALUE (Nm)

SIZE	1/4"	3/8"	1/2"	3/4"	1"	1-1/4"	1-1/2"	2"
GREASE	27.5	27.5	27.5	45.6	55	-	88	132
NON-GREASE	35.2	35.2	35.2	62.2	77	-	121	187
AT 3000 PSI	44	44	44	76.8	93.5	-	198	341

Note 1: The greases Valtorc use including lubricant & anti-seize grease are both SILICONE-FREE.
 Note 2: Strongly suggest increasing at least 30%~40% for safety factor for mounting actuator.