

## SERIES 430 3-WAY BALL VALVES

### SPECIFICATIONS

- Block body
- Full port
- NPT – ORB connections
- Delrin ball seats
- Black oxide coating
- Viton O-Rings
- Temp range -20°F to 215°F
- Nickel plated ball

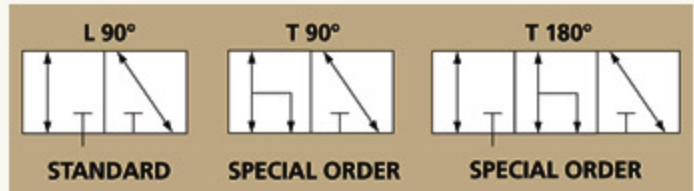
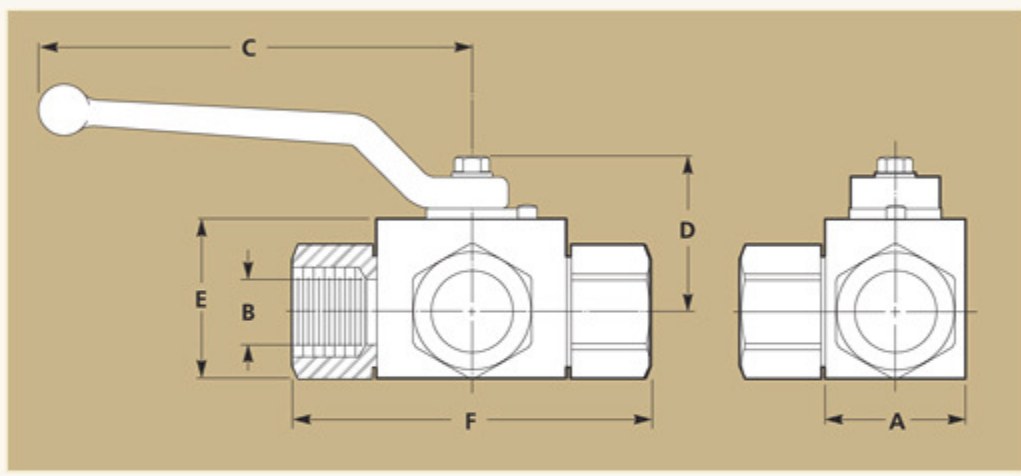
### OPTIONS

- Lock kits
- Actuator packages
- Straight handles
- Red aluminum handles
- Special ball seats and seals for higher temperature and aggressive applications
- Stainless steel



### WORKING PRESSURE DIMENSIONS (IN.)

SIZE	THREAD	PSI	BAR	A	B	C	D	E	F
1/4	1/4 NPTF	5880	400	1.02	.24	4.21	1.20	1.26	2.72
1/4	7/16-20 ORB	5880	400	1.02	.24	4.21	1.20	1.26	2.72
3/8	3/8 NPTF	5880	400	1.26	.39	4.21	1.29	1.50	2.87
3/8	9/16-18 ORB	5880	400	1.26	.39	4.21	1.29	1.50	2.87
1/2	1/2 NPTF	5145	350	1.38	.51	4.21	1.31	1.57	3.62
1/2	3/4-16 ORB	5145	350	1.38	.51	4.21	1.31	1.57	3.62
3/4	3/4 NPTF	5145	350	1.93	.79	6.50	1.91	2.24	3.82
3/4	1 1/16-12 ORB	5145	350	1.93	.79	6.50	1.91	2.24	3.82
1	1 NPTF	5145	350	2.36	.94	6.50	1.95	2.36	4.45
1	1 5/16-12 ORB	5145	350	2.36	.94	6.50	1.95	2.36	4.45



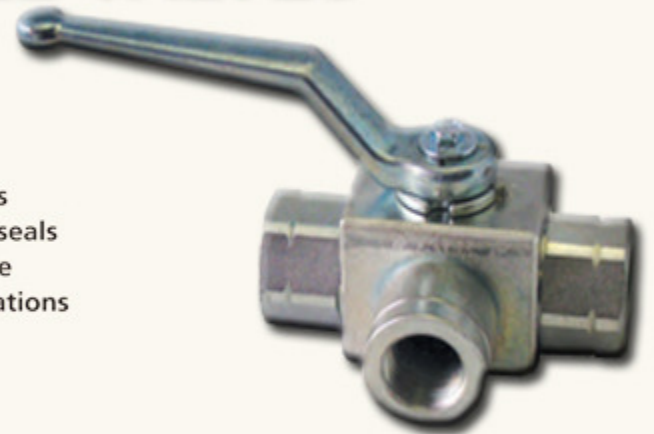
## SERIES 435 3-WAY BALL VALVES

### SPECIFICATIONS

- Block body
- Full port
- NPT – ORB connections
- Delrin ball seats
- Buna-O-Rings
- Zinc clear coating
- Temp range -20°F to 215°F
- Nickel plated ball

### OPTIONS

- Lock kits
- Actuator packages
- Straight handles
- Red aluminum handles
- Special ball seats and seals for higher temperature and aggressive applications
- Mounting holes
- Stainless steel



SIZE	THREAD	WORKING PRESSURE		DIMENSIONS (IN.)					
		PSI	BAR	A	B	C	D	E	F
1/4	1/4 NPTF	5880	400	1.02	.24	4.21	1.20	1.26	2.72
1/4	7/16-20 ORB	5880	400	1.02	.24	4.21	1.20	1.26	2.72
3/8	3/8 NPTF	5880	400	1.26	.39	4.21	1.29	1.50	2.87
3/8	9/16-18 ORB	5880	400	1.26	.39	4.21	1.29	1.50	2.87
1/2	1/2 NPTF	5145	350	1.38	.51	4.21	1.31	1.57	3.62
1/2	3/4-16 ORB	5145	350	1.38	.51	4.21	1.31	1.57	3.62
3/4	3/4 NPTF	5145	350	1.93	.79	6.50	1.91	2.24	3.82
3/4	1 1/16-12 ORB	5145	350	1.93	.79	6.50	1.91	2.24	3.82
1	1 NPTF	5145	350	2.36	.94	6.50	1.95	2.36	4.45
1	1 5/16-12 ORB	5145	350	2.36	.94	6.50	1.95	2.36	4.45

