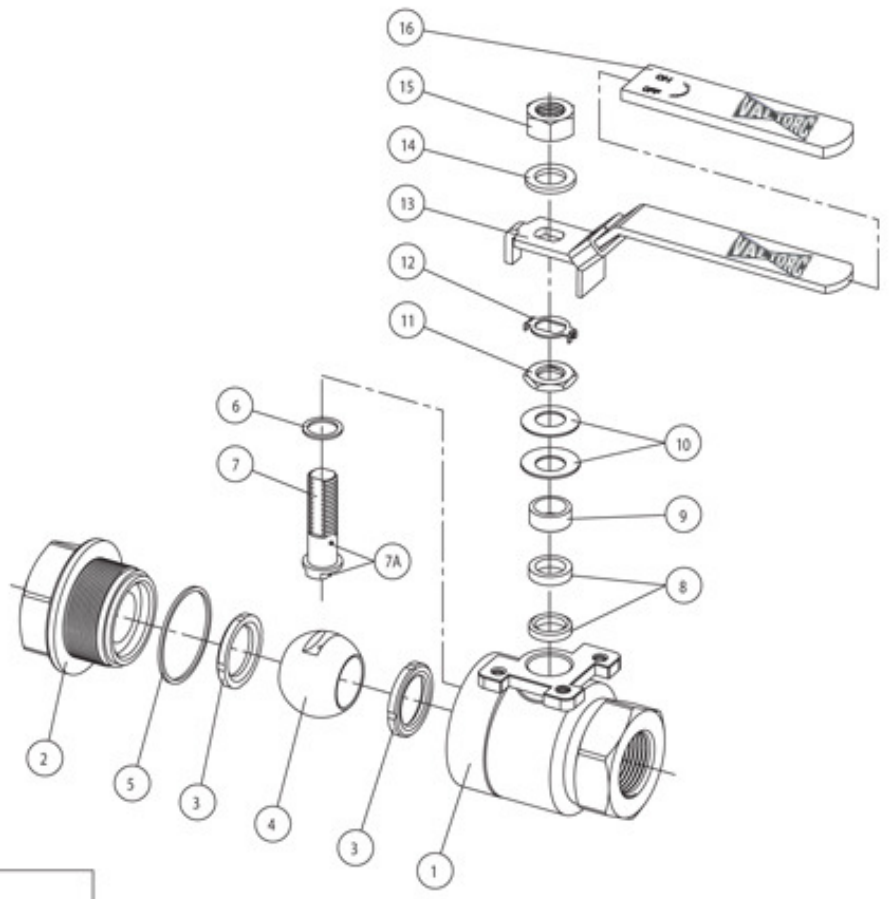


SERIES 350 BALL VALVES

VALTORC HIGH PRESSURE 6000# SEAL WELD BALL VALVE

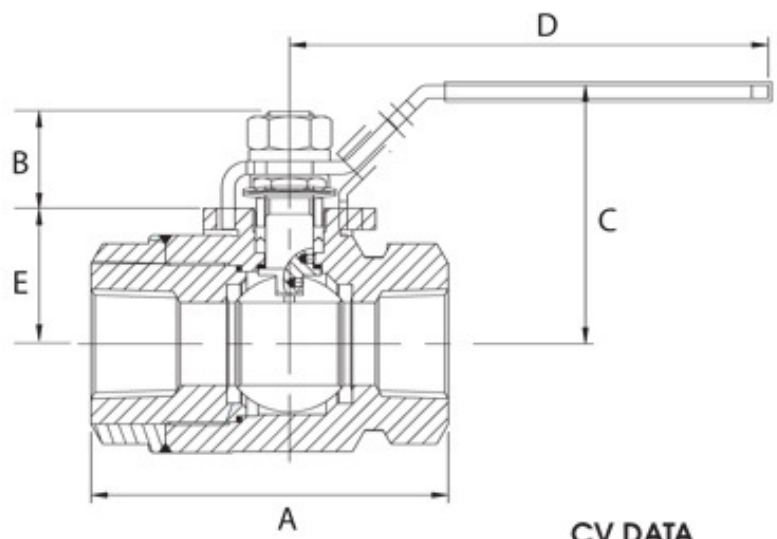
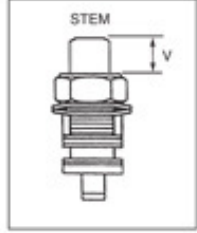
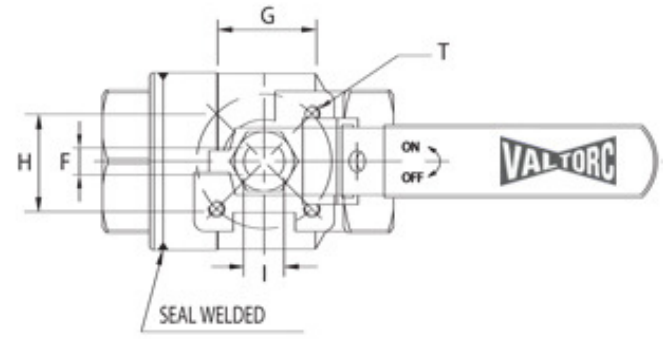
VALVE PARTS AND IDENTIFICATION

SEAL WELD CONSTRUCTION
 ASTM A351 CF8M
 ASTM A216 WCB
 ASME B16.34 CLASS 2500
 6000 CWP RATING
 NACE MR-01-75
 API 608
 LOCKING DEVICE HANDLE
 BLOW OUT PROOF STEM
 ANTI STATIC DEVICE
 ISO MOUNTED PAD



PART NO.	PART	QTY.	MATERIAL
1	Body	1	Carbon Steel ASTM A216 WCB 316 Stainless Steel ASTM A351 CF8M
2	End Plug	1	Carbon Steel ASTM A216 WCB 316 Stainless Steel ASTM A351 CF8M
3	Seat	2	Delrin / PEEK
4	Ball	1	316 Stainless Steel
5	Gasket	1	PTFE / Graphite
6	Thrust Washer	1	PTFE / PEEK
7	Stem	1	ASTM A276 316 / 17-4 PH
7A	Anti Static Device	2	316 Stainless Steel
8	Stem Packing	2	PTFE / Graphite
9	Gland Packing	1	304 Stainless Steel
10	Belleville Washer	2	301 Stainless Steel
11	Packing Nut	1	304 Stainless Steel
12	Lock Tab	1	304 Stainless Steel
13	Handle	1	304 Stainless Steel / Zinc Plated Steel
14	Lock Washer	1	304 Stainless Steel
15	Handle Nut	1	304 Stainless Steel
16	Sleeve	1	PVC

DIMENSIONS



CV DATA		PORT		WEIGHT (lbs.)	
1/4"	7	1/4"	0.37	1/4"	1.20
3/8"	8	3/8"	0.37	3/8"	1.15
1/2"	10	1/2"	0.49	1/2"	1.50
3/4"	35	3/4"	0.79	3/4"	2.76
1"	68	1"	0.99	1"	4.87
1-1/4"	110	1-1/4"	1.26	1-1/4"	7.41
1-1/2"	155	1-1/2"	1.50	1-1/2"	12.10
2"	155	2"	1.50	2"	14.73

SIZE	A	B	C	D	E	F	G	H	I	V	T
1/4"	2.80	0.50	2.42	4.17	0.96	0.20	1.00	1.00	0.31	0.23	M5
3/8"	2.80	0.50	2.42	4.17	0.96	0.20	1.00	1.00	0.31	0.23	M5
1/2"	3.19	0.50	2.42	4.17	0.96	0.20	1.00	1.00	0.31	0.23	M5
3/4"	3.78	0.83	2.60	5.06	1.24	0.28	1.17	1.17	0.39	0.45	M5
1"	4.25	1.14	3.08	6.50	1.61	0.39	1.39	1.39	0.55	0.75	M6
1-1/4"	4.72	1.19	3.27	6.50	1.80	0.39	1.39	1.39	0.55	0.79	M6
1-1/2"	5.12	1.56	4.38	8.58	2.39	0.47	1.95	1.95	0.75	1.06	M8
2"	5.91	1.56	4.38	8.58	2.39	0.47	1.95	1.95	0.75	1.06	M8