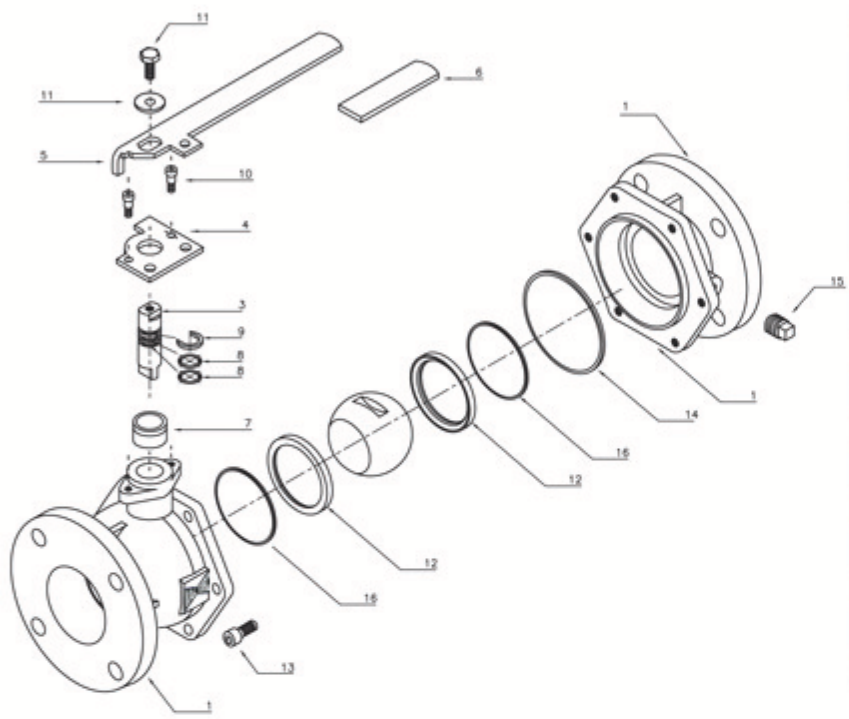
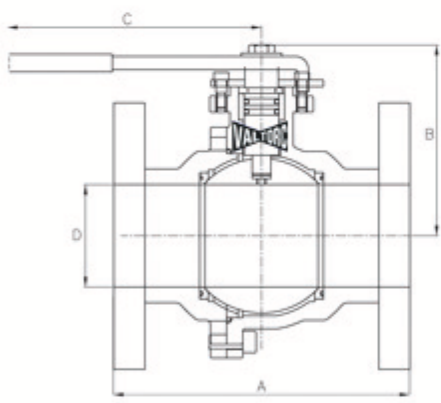


SERIES 165 (FLANGED) FULL PORT CAST IRON BALL VALVES



	<i>Part</i>	<i>Material</i>
1	Body	Cast Iron/A48 Class 30
2	Ball	Stainless Steel
3	Stem	Stainless Steel
4	Stem Retainer Plate	Steel
5	Handle	Steel
6	Handle Grip	Vinyl Dipped Plasticsol
7	Sleeve	Stainless Steel
8	Stem 'O' Ring	Nitrile Rubber (Buna-N)
9	Lock Washer	Stainless Steel
10	Shoulder Screw	Steel
11	Stem Bolt/Washer	Steel
12	Seat	Virgin PTFE
13	Socket Head Screw	Steel
14	Body Gasket	Nitrile Rubber (Buna-N)
15	Body Plug	Cast Iron/Steel
16	Seat 'O' Ring	Nitrile Rubber (Buna-N)



<i>DIMENSIONS:</i>		2	2.5	3	4	6	8
A	Face to Face	7	7.5	8	9	10.5	11.5
B	Center of Port to Top	5.22	5.42	5.59	6.34	8.31	9.76
C	Center of Valve to Handle End	12	10.125	10.875	12.625	16.75	19.7
D	Port Diameter	2	2.5	3	4	6	8
	Flange Diameter	6	7	7.5	9	11	13.5
	Bolt Holes	4	4	4	8	8	8
	Weight (lbs.)	24	29	36	59	118	190

- Epoxy Coated Cast Iron Body.
- Teflon®-fused Solid Ball.
- Same end-to-end as any flanged gate or plug valve.
- Tapped & plugged boss allows for venting downstream, or test port for backflow preventer.
- 2" through 8" - Full Port.
- Rated 200W @ 200°F.
- Class VI Positive Shutoff.
- 100% Lead-Free.