

DESIGN FEATURES:

- Steam rating: 150 psi WSP
- WORKING PRESSURE : 1000 PSI
- INVESTMENT CASTING BODY & CAP
- ME-PTFE SEAL KITS : REPLACES PTFE ,RPTFE AND FPA
 LOW DEFORMATION UNDER LOAD
 LOW PERMEATION
- TEMPERATURE RATING : -45.5° C (-50° F) to 246° C (475° F)
- LONG CYCLE LIFE
- BLOW - OUT - PROOF STEM
- ANTI - STATIC DEVICE
- ADJUSTABLE STEM PACKING
- HANDLE WITH LOCKING DEVICE
- FULL ISO-5211 PAD FOR DIRECT MOUNT AUTOMATION
- TEST STANDARD: API 598
- Vacuum Service to 29" Hg
- End Connections: Threaded End
 Socket-Weld End
 Butt-Weld End

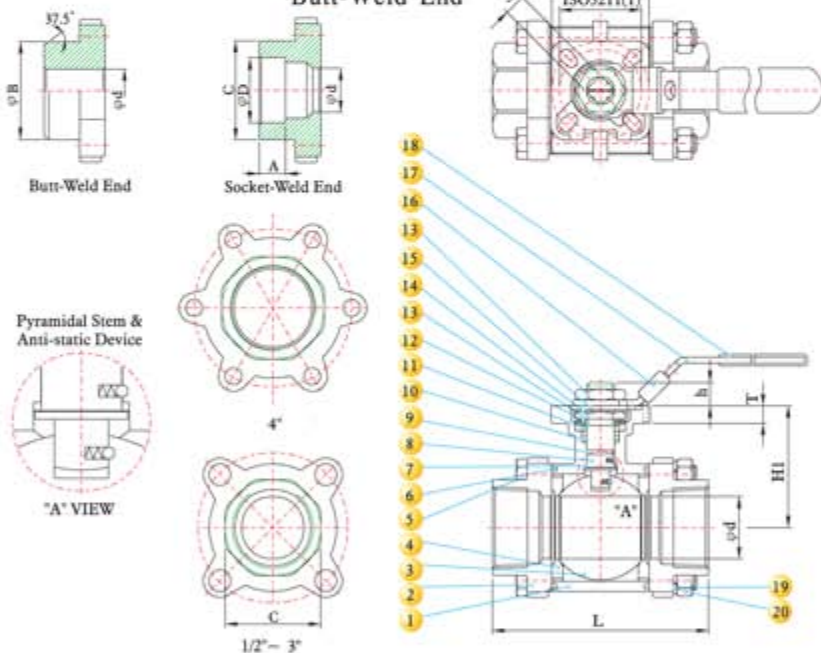
SERIES 140



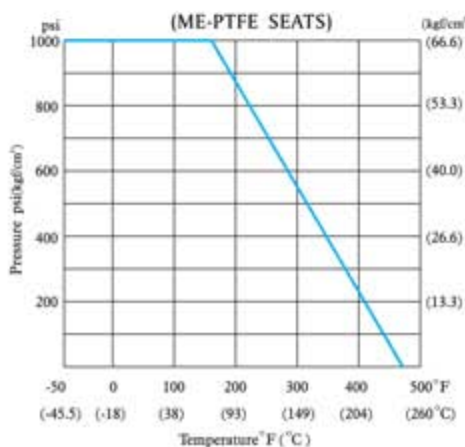
MATERIALS LIST

NO.	PART NAME	MATERIAL	QTY
1	BODY	ASTM A351 Gr.CF8M	1
2	CAP	ASTM A351 Gr.CF8M	2
3	BALL	ASTM A351 Gr.CF8M	1
4	SEAT	ME-PTFE	2
5	BOLT	ASTM A193 Gr.B8	4-6
6	GASKET	ME-PTFE	2
7	THRUST WASHER	ME-PTFE	1
8	STEM	ASTM A276 Gr.316	1
9	O-RING	VITON	1
10	PACKING	ME-PTFE	1
11	RING	SS304	1
12	BELLEVEILLE WASHER	SS410	2
13	HANDLE NUT	SS304	2
14	LOCKING WASHER	SS304	1
15	STOPPER	SS304	1
16	LOCKING PLATE	SS304	1
17	HANDLE	SS304	1
18	HANDLE SLEEVE	VINYL GRIP	1
19	BOLT WASHER	SS304	4-6
20	BOLT NUT	ASTM A194 Gr.8	4-6

*ME-PTFE IS Molecularly Enhanced PTFE



PRESSURE TEMPERATURE RATINGS



DIMENSIONS

Size	A		B		C		D		d		L		H1		h		S		T		ISO 5211	Cv	Weight		
	inch	mm	inch	mm	inch	mm	inch	mm	inch	mm	inch	mm	inch	mm	inch	mm	inch	mm	inch	mm			lb	kg	
1/2"	15	0.5	13	0.89	22.5	1.02	26	0.85	21.6	0.5	12.7	2.66	67.5	1.44	36.5	0.31	8	0.35	9	0.2	5	F03F04	26	1.3	0.6
3/4"	20	0.5	13	1.11	28.3	1.28	32.5	1.07	27.1	0.75	19	3.1	79	1.65	42	0.39	10	0.35	9	0.2	5	F03F04	56	1.5	0.7
1"	25	0.5	13	1.38	35	1.56	39.5	1.33	33.8	1	25.4	3.3	84	1.91	48.5	0.47	12	0.43	11	0.2	5	F04F05	110	2	1
1 1/4"	32	0.5	13	1.73	44	1.89	48	1.68	42.6	1.25	32	4	102	2.13	54	0.47	12	0.43	11	0.2	5	F04F05	180	3	1.5
1 1/2"	40	0.5	13	1.97	50	2.13	54	1.92	48.8	1.5	38.1	4.6	118	2.58	65.5	0.63	16	0.55	14	0.24	6	F05F07	270	5.5	2.5
2"	50	0.63	16	2.38	60.5	2.64	67	2.4	61	2	50.8	5.2	132	2.89	73.5	0.63	16	0.55	14	0.24	6	F05F07	500	7.5	3.5
2 1/2"	65	0.63	16	3.06	77.8	3.31	84	2.9	73.7	2.5	63.5	6.3	160	4.1	103	0.75	19	0.57	17	0.35	9	F07F10	800	15.5	7
3"	80	0.63	16	3.51	89.1	3.84	97.5	3.54	89.9	3	76.2	7.1	180	4.25	108	0.75	19	0.57	17	0.35	9	F07F10	1150	23	10.5
4"	100	0.75	19	4.51	114.5	5	127	4.55	115.6	4	101.6	9	228.6	5.63	143	0.94	24	0.57	17	0.35	9	F07F10	2120	43	19.5