

BALL VALVE SERIES 420 BRASS BALL VALVE (LOCKING HANDLE)

FEATURES & BENEFITS

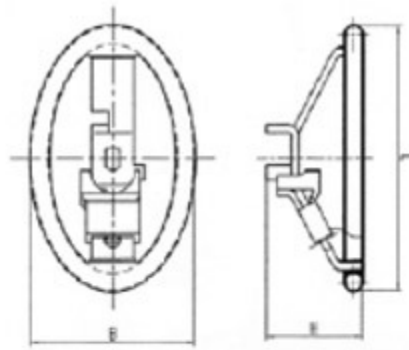
- Full Port
- Thread Ends Comply Per ANSI B2.1
- Forged Brass
- Conforms to MSS-SP-110
- Two Piece Body
- 1/4" - 2" Rated: 600 PSI Non- Shock CWP - 150 PSI SWP
- Teflon Seats
- 2-1/4" - 4" Rated: 400 PSI Non- Shock CWP - 100 PSI SWP
- Blow-Out Proof Stem
- Chrome Plated Solid Brass Ball
- CSA Gas Approved to 2" (IPS Only)

APPLICATIONS

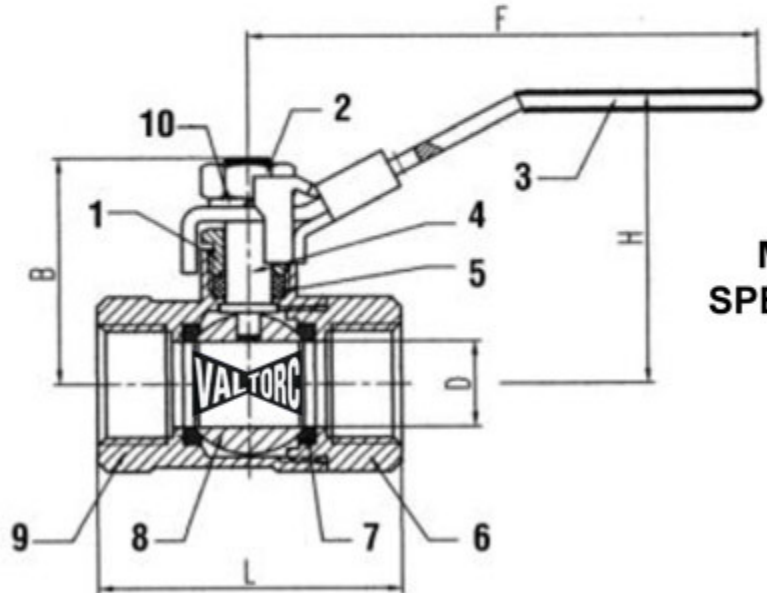
- Commercial & Light Industrial/ Steam, Water, Oil, Gas, Air



DIMENSIONS



Size	L	D	H	F	B
1/4"	1.69	.39	1.85	3.47	1.38
3/8"	1.69	.39	1.85	3.47	1.38
1/2"	2.07	.59	1.99	3.47	1.54
3/4"	2.38	.75	2.38	2.84	1.77
1"	2.90	.99	2.54	4.65	1.93
1-1/4"	3.27	1.26	2.82	5.91	2.46
1-1/2"	3.62	1.58	3.03	5.91	2.70
2"	4.41	1.97	3.45	5.91	2.96
2-1/2"	5.99	2.56	4.59	9.06	3.78
3"	6.50	2.96	4.87	9.06	4.10
4"	7.76	3.90	5.67	10.01	4.94



MATERIAL SPECIFICATION

HANDLE DIMENSIONS

Size	L	B	H
1/4" - 1/2"	3.62	2.29	1.34
3/4" - 1"	3.78	2.36	1.69
1-1/4" - 2"	4.65	3.51	1.93

IPS No.	Part	Material
1	Gland Nut	Brass
2	Hex Nut	Steel
3	Handle	Steel
4	Stem	Brass
5	Stem Packing	Teflon
6	End Cap	Brass
7	Seat	Teflon
8	Ball	C.P. Brass
9	Body	Brass
10*	Lock Washer	Steel

*Not present on 2-1/4" valves.

SOCKET WELD

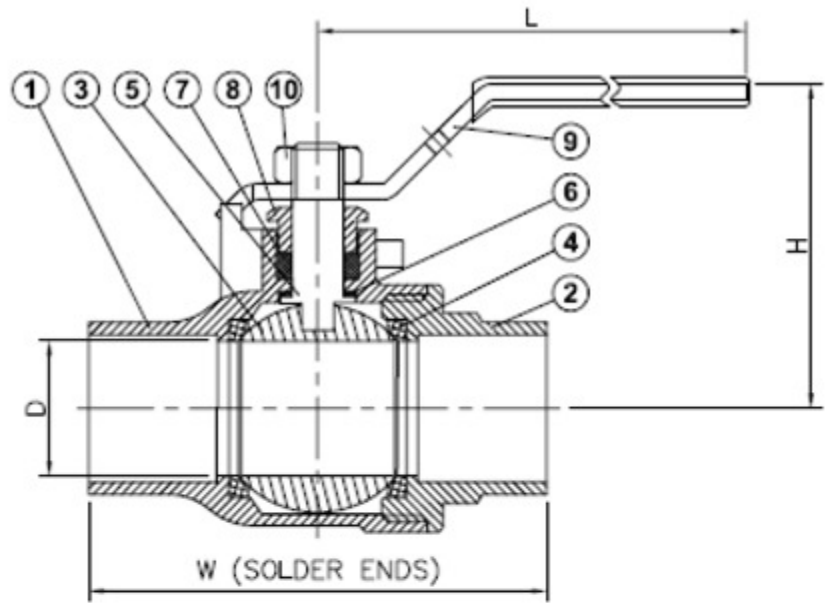
FEATURES & BENEFITS

- ISO-9002
- 600 WOG / 150 SWP 1/4" - 2"
- 400 WOG / 125 SWP 2-1/2" - 4"
- Full Port
- Blow Out Proof Stem
- Teflon Seats
- UL/FM Approved 1/2" - 2"
- Sweat
- Conforms to MSS-SP-110 Specifications
- Sizes 1/2" - 4"



DIMENSIONS

Size	D	W	H	L
1/2"	0.50	1.94	1.45	3.23
3/4"	0.75	2.73	1.78	3.94
1"	0.98	3.29	2.29	4.72
1-1/4"	1.22	3.74	2.44	4.72
1-1/2"	1.50	4.30	3.00	7.09
2"	1.97	5.31	3.30	7.09
2-1/2"	2.50	6.29	4.59	8.66
3"	3.00	7.19	4.92	8.66
4"	3.98	9.26	5.73	9.84



MATERIAL SPECIFICATIONS

No.	Part	Material
1	Body	Forged Brass
2	End Cap	Forged Brass
3	Ball	Copper Alloy, Chrome Plated
4	Seat	Teflon
5	Stem	Copper Alloy
6	Thrust Washer	Teflon
7	Packing	Teflon
8	Gland	Copper Alloy
9	Handle	Carbon Steel Plated
10	Nut	Carbon Steel Plated