

## 2000 WOG STAINLESS STEEL SPRING RETURN BALL VALVE

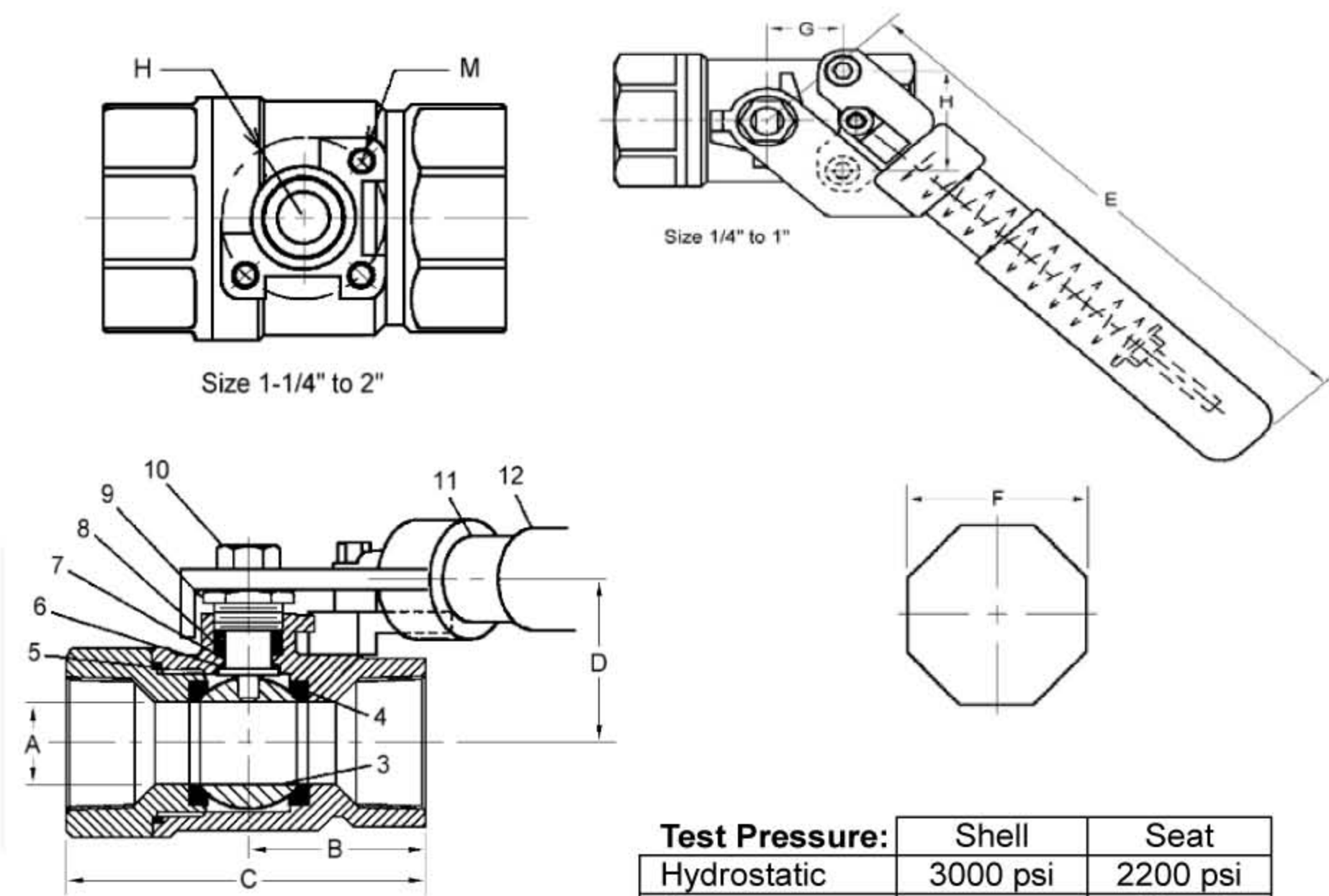


Investment Casting  
Floating Ball  
NPT Threads: ANSI B1.20.1  
1/4" ~ 1/2" – Full Port  
3/4" ~ 2" – Reduced Port

### Materials:

No.	Part Name	Specification
1	Body	CF8M
2	Cap	CF8M
3	Ball	CF8M
4	Ball seat	PTFE + 15% GF
5	Joint gasket	PTFE
6	Thrust washer	PTFE + 15% GF
7	Stem	ANSI 316
8	Stem packing	PTFE + 15% GF
9	Gland nut	A194 Gr. 8
10	Stem nut	A194 Gr. 8
11	Spring handle	ANSI 304
12	Handle cover	Plastic

SIZE	PRICE EA.	CASE QTY.	WEIGHT/ EACH (LB)	WEIGHT/ CASE (LB)
1/4"	145.71	10	1.57	17.2
3/8"	145.71	10	1.55	17
1/2"	140.58	28	1.42	41.3
3/4"	178.29	8	2.41	20.8
1"	217.71	12	2.68	32.2
1 1/4"	339.42	4	4.33	18.8
1 1/2"	361.53	4	5.65	24.1
2"	490.29	4	6.5	27.5



Test Pressure:	Shell	Seat
Hydrostatic	3000 psi	2200 psi
Air	-	85 psi

### Dimensions:

Size		A		B		C		D		E		F		G		H		M		Weight	
in	mm	in	mm	in	mm	in	mm	in	mm	in	mm	in	mm	in	mm	in	mm	mm	lb	kg	
1/4	6	.43	11	1.08	27.5	2.30	58.5	1.18	30	7.13	180	.94	24	.5	12.7	1.12	28.5	M6*1	1.57	.71	
3/8	10	.49	12.5	1.08	27.5	2.30	58.5	1.18	30	7.13	180	.94	24	.5	12.7	1.12	28.5	M6*1	1.55	.70	
1/2	15	.49	12.5	1.12	28.4	2.56	65	1.18	30	7.13	180	1.06	27	.5	12.7	1.12	28.5	M6*1	1.42	.65	
3/4	20	.59	15	1.48	37.5	3.03	77	1.47	37.3	7.13	180	1.26	32	.87	22.1	1.37	34.8	M6*1	2.41	1.10	
1	25	.79	20	1.69	43	3.41	86.5	1.56	39.5	7.13	180	1.61	41	.87	22.1	1.37	34.8	M6*1	2.68	1.22	
1 1/4	32	.98	25	1.81	46	3.90	99	2.11	53.5	10.8	275	1.97	50	-	-	1.97	Ø50	M8*1.25	4.33	1.97	
1 1/2	40	1.26	32	2.02	51.5	4.06	103	2.27	57.7	10.8	275	2.36	60	-	-	1.97	Ø50	M8*1.25	5.65	2.57	
2	50	1.49	38	2.44	62	4.88	124	2.54	64.5	10.8	275	2.76	70	-	-	1.97	Ø50	M8*1.25	6.5	2.95	