

## SERIES 285 MULTI-WAY FLANGED BALL VALVES



### SPECIFICATION

- \* Body & end caps quality investment/ sand casting  
Investment casting: 1/2" to 5" both in CF8M & WCB  
Sand casting: 6" to 8" both in CF8M & WCB
- \* Available in stainless steel or carbon steel
- \* with ISO 5211 direct mounting pad (1/2" to 4")
- \* Adjustable stem packing
- \* Blow-out proof stem design
- \* Available in L/ T/ X/ I-port
- \* Available in 3/ 4/ 5-way in block body type.
- \* 100% air tested under water at 80-100 psi
- \* Temperature range -20 F to 450 F
- \* End connection: ASME150/ 300 & PN16/ 40 & JIS10K/ 20K
- \* with locking function

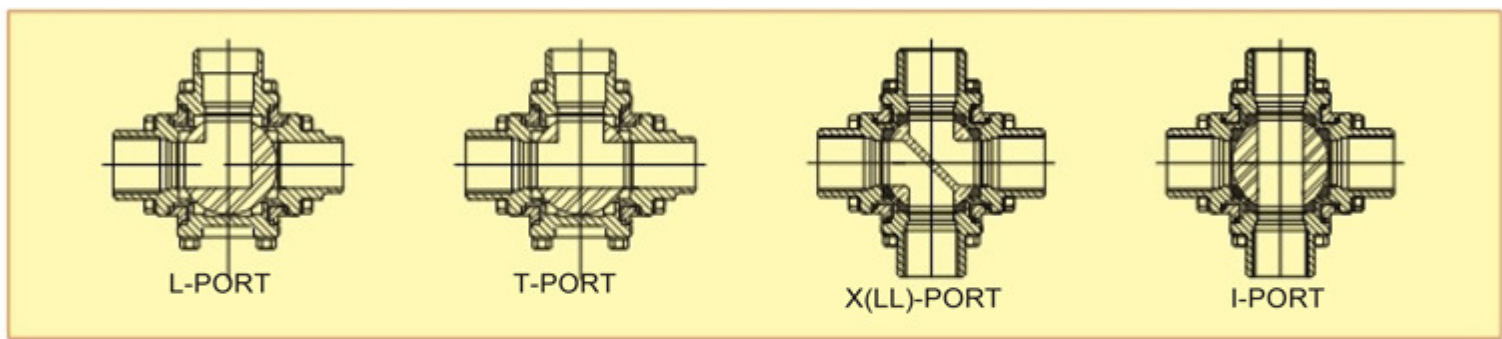
### CLASS150/ 300

- \* Valve Design: ASME B16.34
- \* Steel Casting: MSS SP-55
- \* Flange connection: ASME B16.50
- \* Pressure test: API 598 (ISO 5208)
- \* Sulfide stress cranking: NACE MR-01-75

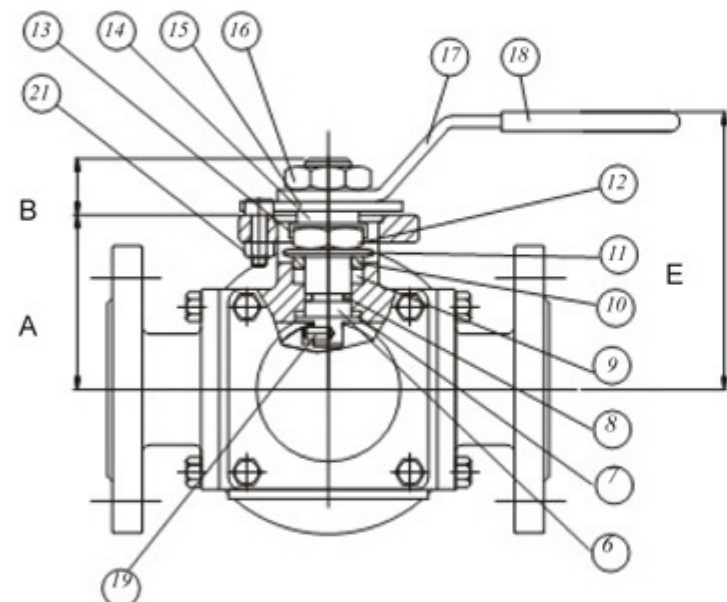
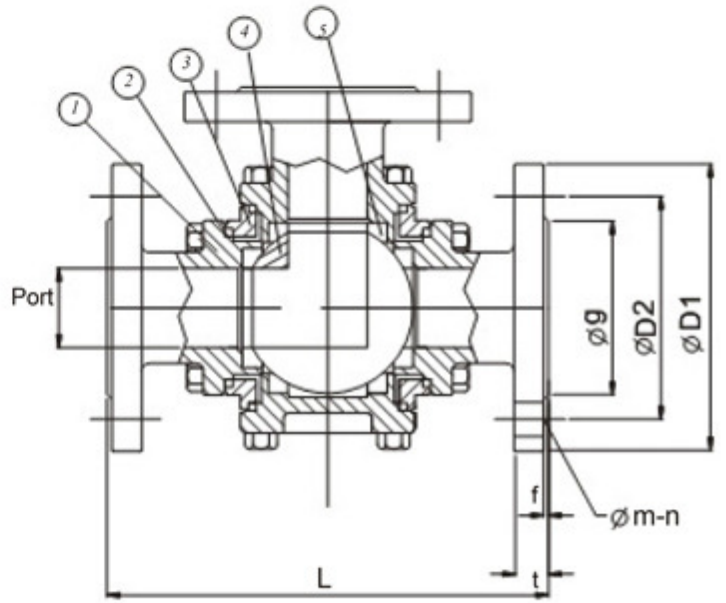
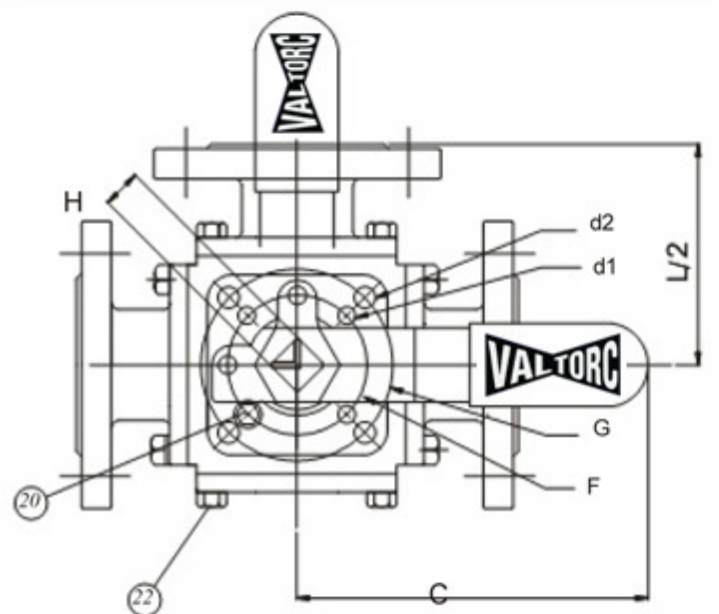
### OPTIONS

- \* Automation application
- \* PTFE/ PFA coating (40-70 um)
- \* TFM1600/ TFM4215/ UPE (UHMWP) soft kits \*
- \* Cavity filler
- \* 180 degree operation stop plate
- \* Hastelloy C, Alloy 20, Super Duplex, Monel
- \* Fire safe design





**DRAWING FOR 1/2" TO 2"**



**MATERIALS LIST, 1/2" to 2"**

ITEM	PART NAME	MATERIALS
1	FLANGED END	CF8M/ WCB
2	GASKET	PTFE
3	BODY	CF8M/ WCB
4	BALL	SS 316/ SS 304
5	SEAT	PTFE
6	THRUST WASHER	RPTFE
7	STEM	SS 316/ SS 304
8	O-RING	VITON
9	STEM PACKING	PTFE
10	GLAND	SS 304
11	DISK WASHER	SS 301
12	STEM NUT	SS 304
13	NUT STOP	SS 304
14	SPACE WASHER	SS 304
15	STOPPER PLATE	SS 304
16	HANDLE NUT	SS 304
17	HANDLE	SS 304
18	SLEEVE	PLASTIC
19	INSERT PIN	SS 304
20	STOP PIN	SS 316
21	STOP PIN NUT	SS 304
22	BOLTS	SS 304



**DIMENSIONS (mm)/ (1/2" to 2")**

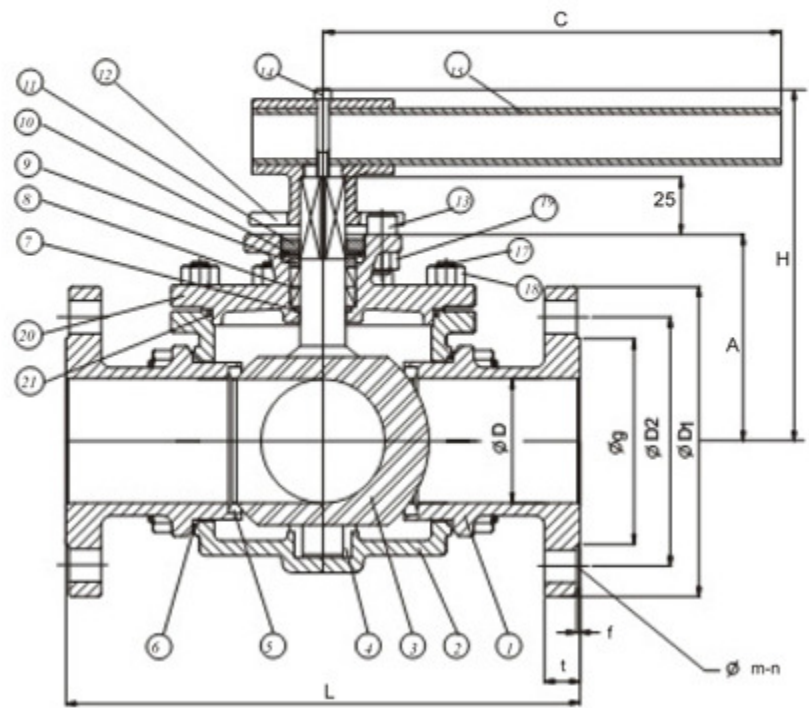
SIZE	A	B	C	d1	d2	E	F	G	H	Port	L	
											#150	#300
1/2"	41	11	130	6.0	6.0	62	36	42	9	15	152	160
3/4"	49	14	165	6.0	7.1	82	42	50	11	20	167	177
1"	55	14	165	6.0	7.1	89	42	50	11	25	190	200
1-1/4"	63	17	205	7.1	9.2	98	50	70	14	32	208	208
1-1/2"	74	16	205	7.1	9.2	108	50	70	14	38	220	234
2"	93	21	325	9.2	11.4	140	70	102	17	50	253	273

**DIMENSIONS (mm)/ ASME150/ 300 (1/2" to 2")**

SIZE	Class150							Class300						
	D1	D2	g	t	f	m	n	D1	D2	g	t	f	m	n
1/2"	89	60.5	35	11.2	1.6	16	4	95	66.5	35	14.5	1.6	16	4
3/4"	98	70	43	11.2	1.6	16	4	117	82.5	43	16.0	1.6	19	4
1"	108	79.5	51	11.2	1.6	16	4	124	89	51	17.5	1.6	19	4
1-1/4"	117	89	64	12.7	1.6	16	4	134	98.5	64	20.5	1.6	19	4
1-1/2"	127	98.5	73	14.3	1.6	16	4	156	114.5	73	22.5	1.6	22	4
2"	152	120.5	92	15.8	1.6	16	4	165	127	92	25.4	1.6	19	8



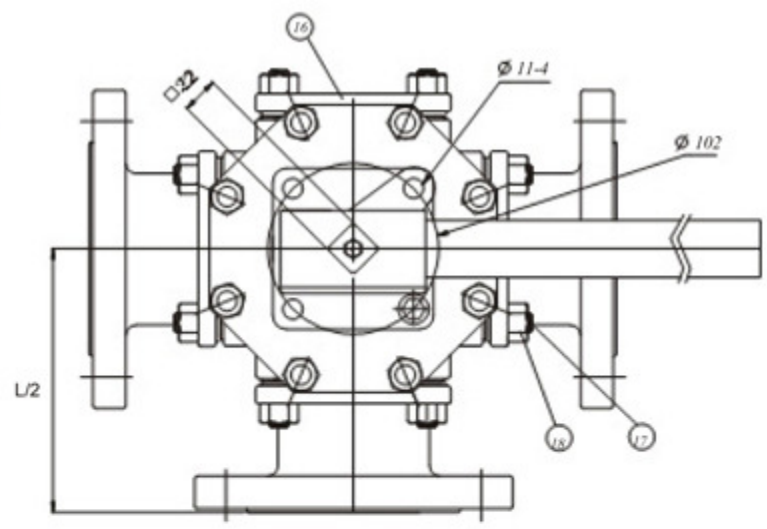


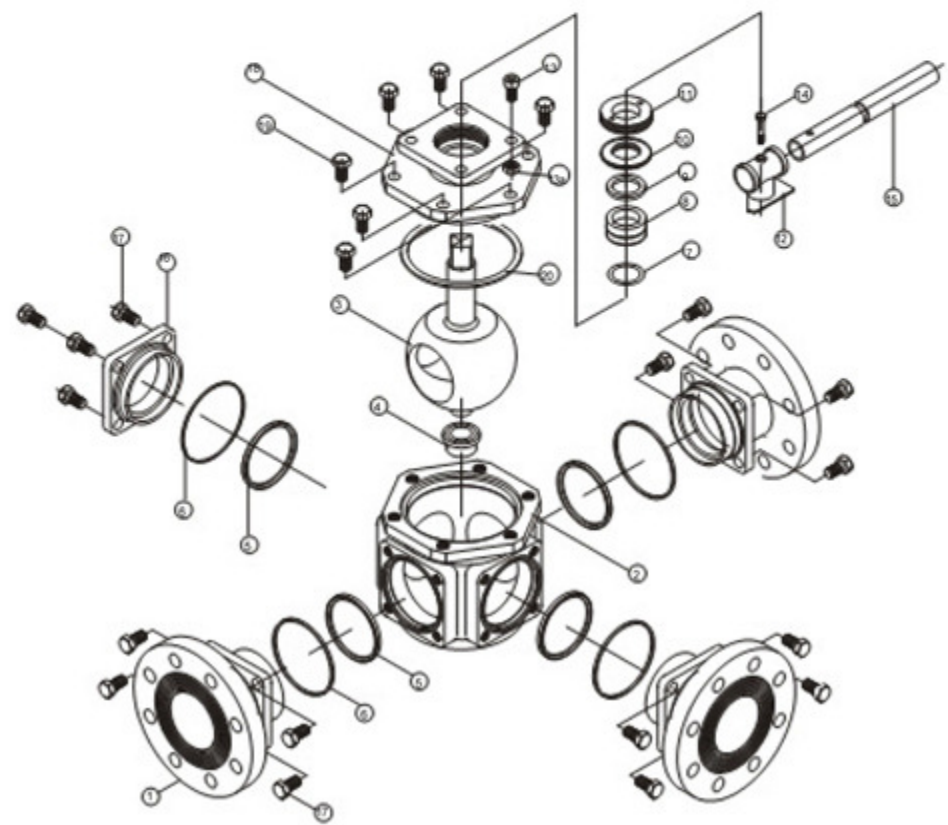


**DRAWING FOR 2-1/2" TO 4"**

**MATERIALS LIST, 2-1/2" to 4"**

ITEM	PART NAME	MATERIALS
1	FLANGED END	CF8M/ WCB
2	BODY	CF8M/ WCB
3	BALL & STEM	SS 316/ SS 304
4	HOUSING	PTFE + STAINLESS
5	SEATS	PTFE
6	GASKET	PTFE
7	O-RING	VITON
8	STEM PACKING	PTFE
9	GLAND WASHER	SS 304
10	DISK WASHER	SS 301
11	GLAND	SS 304
12	HANDLE HEAD	A351 Gr.CF8
13	STOP PIN	SS 304
14	BOLT	SS 304
15	HANDLE	STEEL PIPE
16	BLANK CAP	CF8M/ WCB
17	BOLT	SS 304
18	BOLT NUTS	SS 304
19	STOP PIN NUT	SS 304
20	BONNET	CF8M/ WCB
21	BONNET GASKET	PTFE





**DIMENSIONS (mm)/ (2-1/2" to 4")**

SIZE	A	C	D	H	L	
					#150	#300
2-1/2"	144	400	62	210	300	300
3"	162	500	76	228	305	330.4
4"	182	650	96	248	368.5	393.8

**DIMENSIONS (mm)/ ASME150/ 300 (2-1/2" to 4")**

SIZE	Class150							Class300						
	D1	D2	g	t	f	m	n	D1	D2	g	t	f	m	n
2-1/2"	178	139.5	105	17.8	1.6	19	4	190	149	105	25.4	1.6	22	8
3"	190	152.5	127	19.1	1.6	19	4	210	168	127	28.6	1.6	22	8
4"	229	190.5	157	24	1.6	19	8	254	200	157	32	1.6	22	8