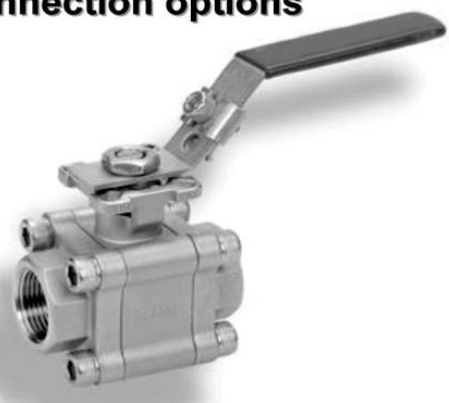


Threaded, Socket Weld and Butt-weld End Connection options

DESIGN STANDARDS		
Basic Design	ASME B16.34, API 608	
Pressure test	API 598	
Ends	Threaded	ASME B16.11, B1.20.1
	Socket weld	ASME B16.11
	Butt-weld	ASME B16.25



DESIGN & PRODUCTION FEATURES

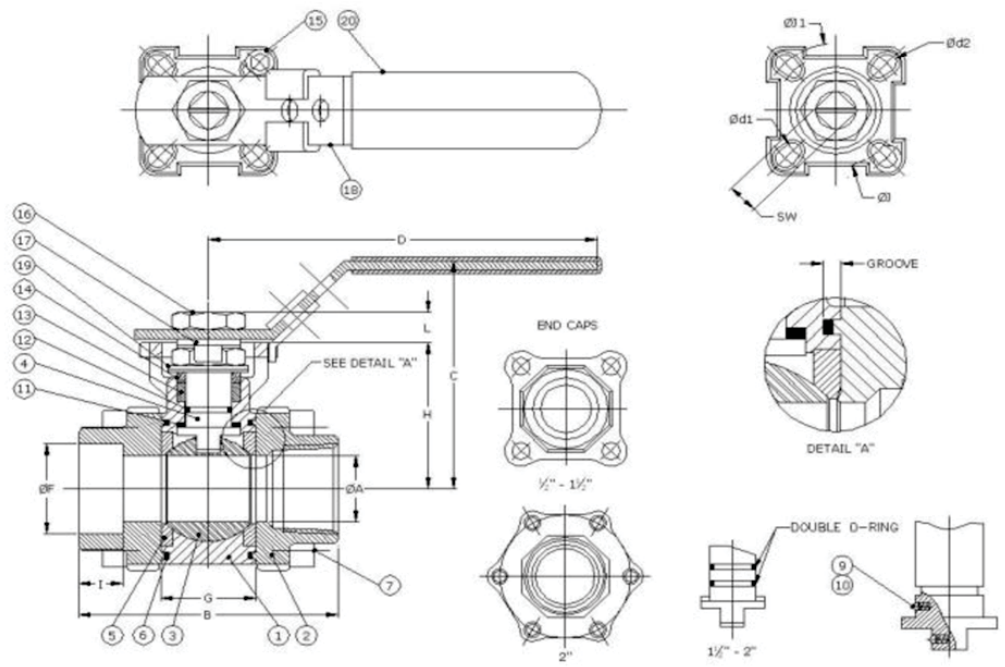
3 Piece bolted body design simplifies maintenance activities long after installation.

- Adjustable live loaded stem packing plus reliable o-ring stem seal
 - Removable-Replaceable body section
 - Enclosed body-cap bolting
 - Two size ISO actuator mounting pad
- Threaded, Socket weld or butt-weld ends available
 - Durable TFM 4215 seats are standard
 - 316SS ball & stem is standard
 - Locking Lever is standard
 - ISO actuator mounting pad is standard
- Optional locking oval handles are available
- Meets ASME B16.34 & API 608
 - Pressure tested to API 598
 - Fire safe tested to API 607 5th Edition
 - Meets NACE

PRESSURE RATING: WCB and CF8M
2000 PSIG @ 100F W.O.G.—1/2" - 1 1/4"
1500 PSIG @ 100F W.O.G.—1 1/2" - 2"
Water, Oil or Gas

MATERIALS OF CONSTRUCTION

No.	PART NAME	MATERIAL	
1	BODY	WCB	CF8M
2	END CAPS	WCB	CF8M
3	BALL	CF8M / 316	
4	STEM	316SS	
5	SEAT	TFM 4215	
6	BODY - CAP GASKET	GRAPHITE	
7	CAP SCREW	B7M	B8
9	ANTI - STATIC SPRING	316SS	
10	ANTI - STATIC BALL	316SS	
11	THRUST WASHER	PTFE (15% G)	
12	STEM O-RING	VITON	
13	STEM PACKING	GRAPHITE	
14	GLAND RING	304SS	
15	STOP SCREW	304SS	
16	STEM NUT	304SS	
17	LOCK WASHER	304SS	
18	LEVER	304SS	
19	BELLEVILLE SPRING WASHER	301SS	
20	PLASTIC SLEEVE	VINYL	



Socket weld end modification note: Threaded end connections that are modified to socket weld end connections will result in reduced pressure rating of the valve due to reduction of end cap wall thickness. Use of the factory furnished socket weld end cap option should be considered to retain the stated valve pressure rating.

DIMENSIONS

SIZE (inches)	Pressure Rating psi	A	B	C	D	F	G	I	J	J1	SW	d1	d2	H	L	Cv	ISO Pad	Wt. (LBS)
1/2	2000	.63	2.95	2.79	4.33	.855	.99	.38	1.42	1.65	.35	.24	.24	1.67	.31	12	F03, F04	1.8
3/4	2000	.79	3.15	2.89	4.33	1.07	1.09	.50	1.42	1.65	.35	.24	.24	1.76	.31	31	F03, F04	2.2
1	2000	.96	3.54	3.31	5.31	1.33	1.30	.50	1.65	1.97	.43	.24	.28	2.13	.39	45	F04, F05	3.8
1 1/4	2000	1.26	4.33	3.52	5.31	1.68	1.62	.50	1.65	1.97	.43	.24	.28	2.33	.39	77	F04, F05	6.9
1 1/2	1500	1.50	4.72	4.31	6.50	1.92	1.94	.50	1.97	2.76	.55	.28	.35	2.86	.58	116	F05, F07	8.1
2	1500	1.97	5.51	4.68	6.50	2.41	2.50	.62	1.97	2.76	.55	.28	.35	3.26	.58	266	F05, F07	14.3