

# Valve Installation Procedure

## 3", 4" & 6" Valves - Flanged Installation

1. Valve must be in the closed position for installation.
2. Figure 1 illustrates a flanged valve installation.
3. Use hex bolts & nuts to secure valve to flange.
4. Ensure proper gaskets are used between the valve flange and pipe flange.
5. Tighten bolts & nuts in alternating opposite sides until completely tightened. Please see torque requirements below. Torque wrench is required.

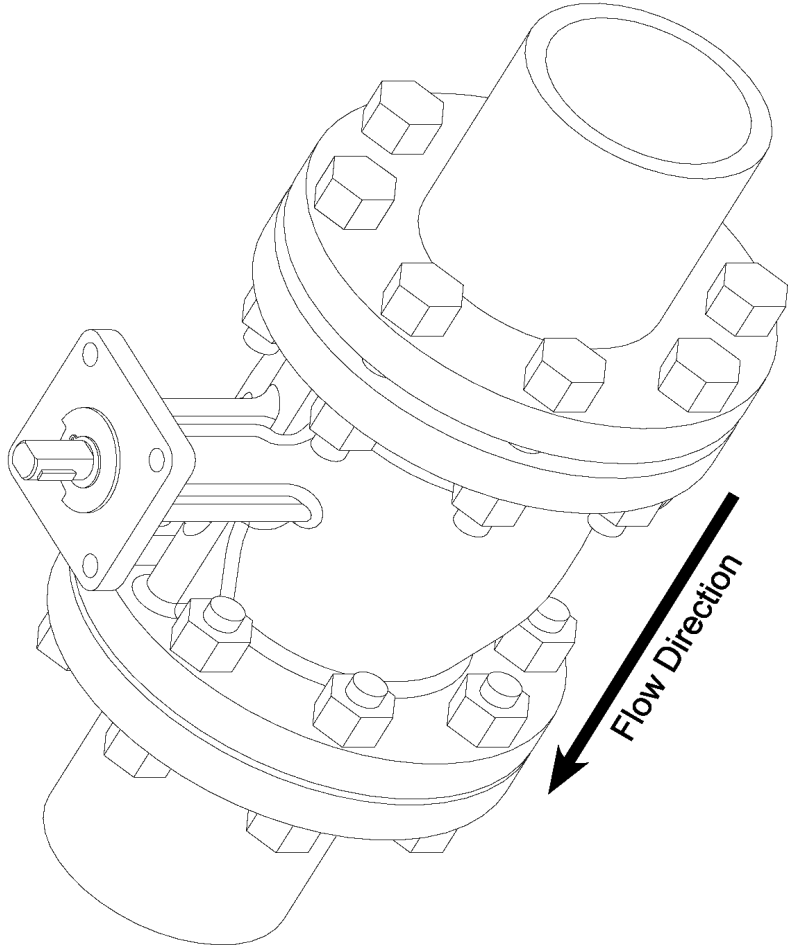
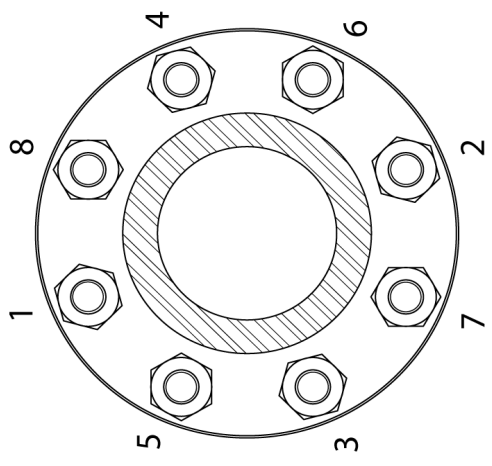
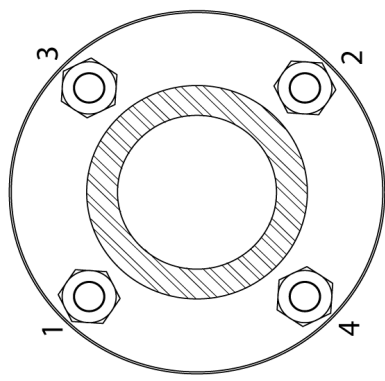


FIGURE 1

4" & 6" Bolt Tightening Sequence



3" Bolt Tightening Sequence



**WARNING:** Exceeding the Maximum Torque Can Damage the Valve and Void the Warranty!

3" ANSI 150 Flange - 65 ft/lbs

4" ANSI 150 Flange - 70 ft/lbs

6" ANSI 150 Flange - 100 ft/lbs

# Seat Replacement Procedure

## 3", 4" & 6" Valves

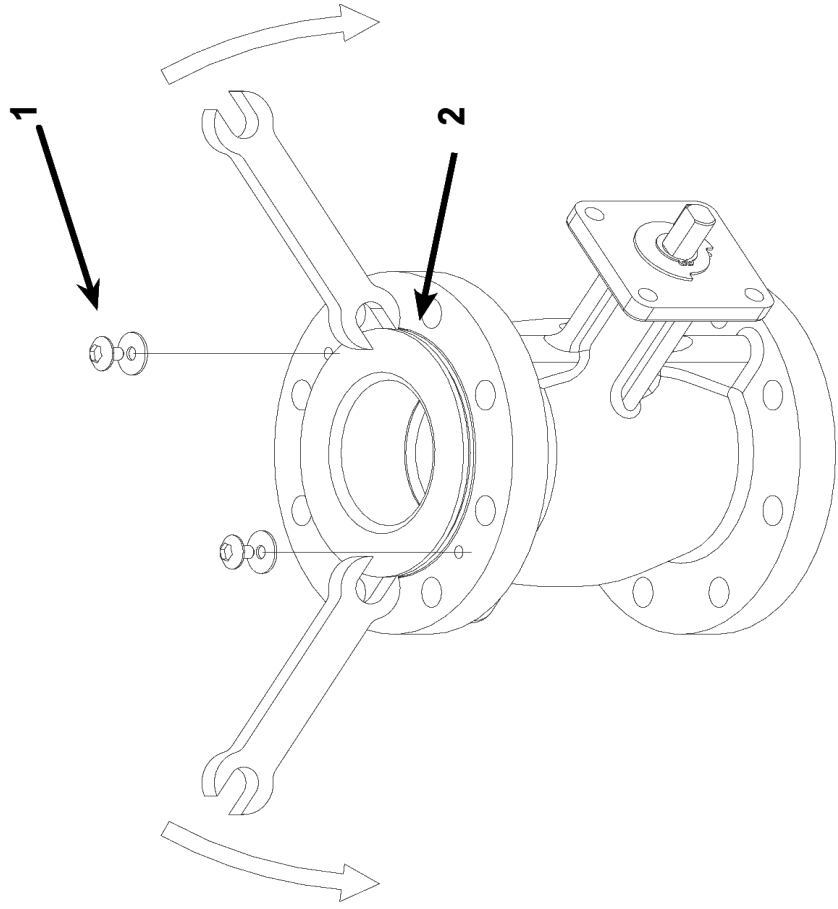


FIGURE 2

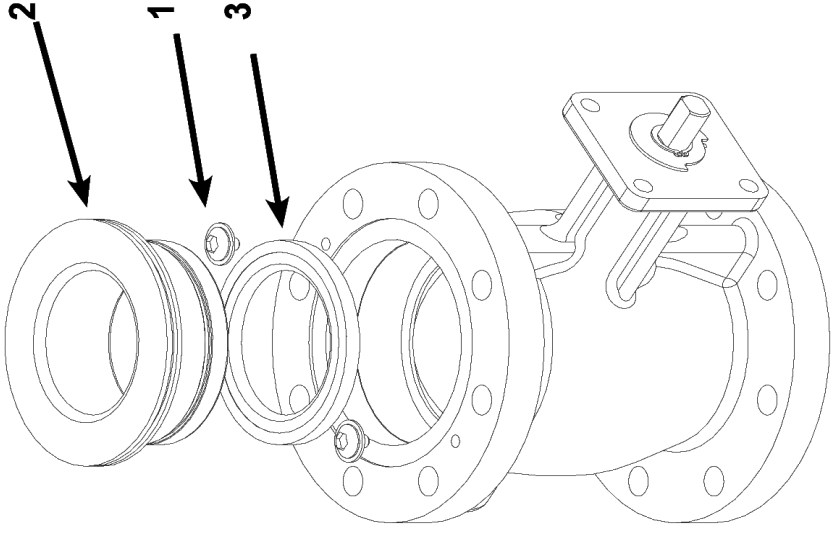


FIGURE 3

1. Remove valve from pipe
2. Remove 2 cap retaining washers (1)
3. Using 2 wrenches/flat-head screwdrivers, pry cap assembly (2) out of valve
4. Rotate valve to fully open position
5. Using hands, pull seat (3) out of the valve
6. Replace seat and reverse procedure to reassemble
7. Reinstall valve per installation instructions