

**VALTORC**

WWW.VALTORC.COM  
AJBENTAL@VALTORC.COM  
1 (866) VALTORC

# FLUSH BOTTOM TANK VALVES

**SERIES 390**



## VALTORC FLUSH BOTTOM TANK SERIES 390 VALVES

*For Pharmaceutical, Biotech, Cosmetic, and Chemical Applications*

### **STANDARD FEATURES**

Flush Pad Made from Solid Bar

Angle Engineered Design

Variety of Port Configurations

Fully Encapsulated

Integral Mounting Pad

Lockable Handle

Variety of End Combinations

Choice of Seats & Seals

Traceability

### **ADVANTAGES**

Machined from 316L stainless steel. Eliminates porosity and flaws commonly associated with cast materials. Increases resistance to corrosion.

Allows ball to extend into tank resulting in reduced dead space where media may accumulate.

Valves and their corresponding pads are available in full and standard port pipe dimensions or full port tube dimensions, assuring proper sizing of piping system.

Allows pad to be directly welded to tank without disassembly of valve.

Ideal for actuation. Centering lip feature assures precise alignment of bracket stem and coupler. Allows in-line maintenance of valve without having to remove actuator.

All manual Flush Bottom Valves meet OSHA standards with locking device. Restricts valves from being opened or closed accidentally.

A wide choice of optional end connections are available, including but not limited to, TriClamp\*\*, Threaded, Socket Weld, Butt Weld, Grooved, and 150# and 300# flanged.

A wide variety of seat and seal materials are readily available for the most demanding applications, including Buna, Delrin, Peek, EPDM, Viton, TFE, RTFE, Graphoil, and UHMWPE. Cavity fillers are also available in Teflon\*\*\*.

Heat numbers are provided on valve bodies, pads and ends. CMTR's (certified mill test reports) are available upon request.

### **AVAILABLE OPTIONS**

Self Draining

Special seats and balls can be supplied to allow the valve to completely drain in the open or closed position.

Purge Ports

Valves can be supplied with purge connections for SIP (steam in place) or CIP (clean in place) applications.

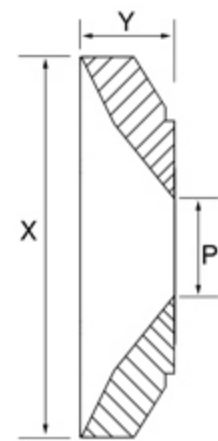
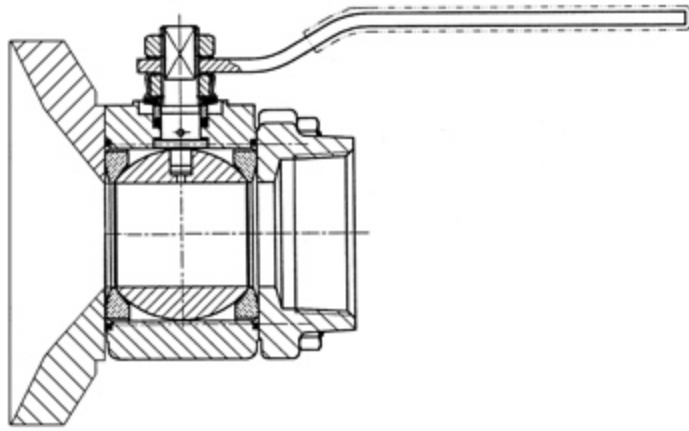
Polishing

Valves can be manually and/or electronically polished (I.D. and/or O.D.) from 180 to 320 grit.

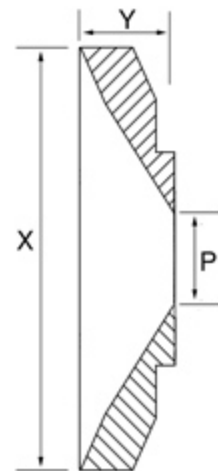
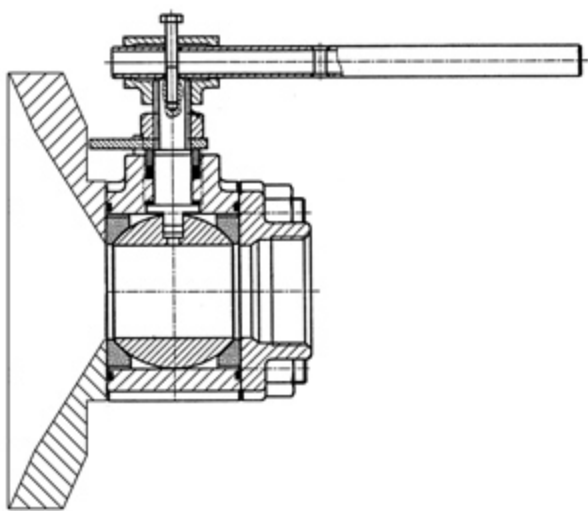
Automation

Valves can be supplied with either pneumatic or electric actuation.

## VALVE DIMENSIONS

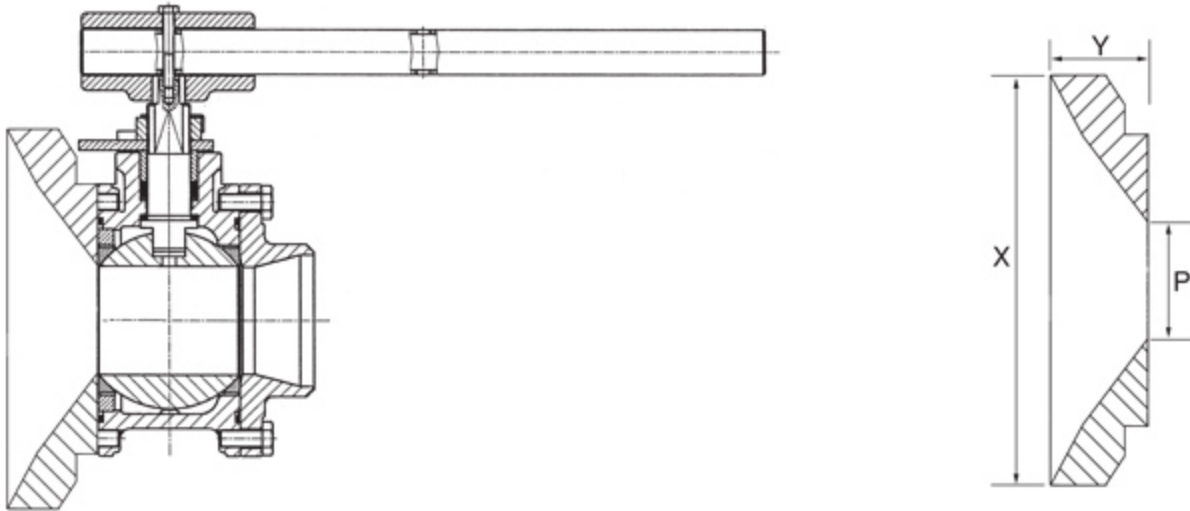


SERIES 390-A				SERIES 390-B				SERIES 390-C			
SIZE	X	Y	P	SIZE	X	Y	P	SIZE	X	Y	P
1"	3.74	0.79	0.75	1"	3.74	0.79	0.87	1"	3.74	0.79	1.00
1-1/4"	3.74	0.79	1.00	1-1/4"	3.74	0.79	1.12	1-1/4"	5.50	1.10	1.25
1-1/2"	5.50	1.10	1.25	1-1/2"	5.50	1.10	1.37	1-1/2"	5.50	1.10	1.50
2"	5.50	1.10	1.50	2"	5.50	1.10	1.87				



SERIES 390-A				SERIES 390-B				SERIES 390-C			
SIZE	X	Y	P	SIZE	X	Y	P	SIZE	X	Y	P
2-1/2"	7.00	1.34	2.00	2-1/2"	7.00	1.34	2.37	2"	7.00	1.34	2.00

## VALVE DIMENSIONS



SERIES 390-A				SERIES 390-B				SERIES 390-C			
SIZE	X	Y	P	SIZE	X	Y	P	SIZE	X	Y	P
3"	10.00	1.69	2.50	3"	10.00	1.69	2.87	2-1/2"	10.00	1.69	2.50
4"	11.50	1.93	3.00	4"	11.50	1.93	3.83	3"	11.50	1.93	3.00