

VALTORC

WWW.VALTORC.COM
AJBENTAL@VALTORC.COM
1 (866) VALTORC

ELECTRO PNEUMATIC POSITIONER

SERIES VP-900



PRECISE CALIBRATION WITH
SIMPLE ZERO AND
SPAN ADJUSTMENTS



Features

- Available in rotary (ROT) or linear (LIN)
- Precise calibration with simple span and zero adjustments
- Direct or reverse action
- Split range available
- Rugged aluminum enclosure with epoxy coating
- Vibration resistant
- Stainless steel gauges standard
- Various orifices available to increase/decrease flow
- Certified for ATEX

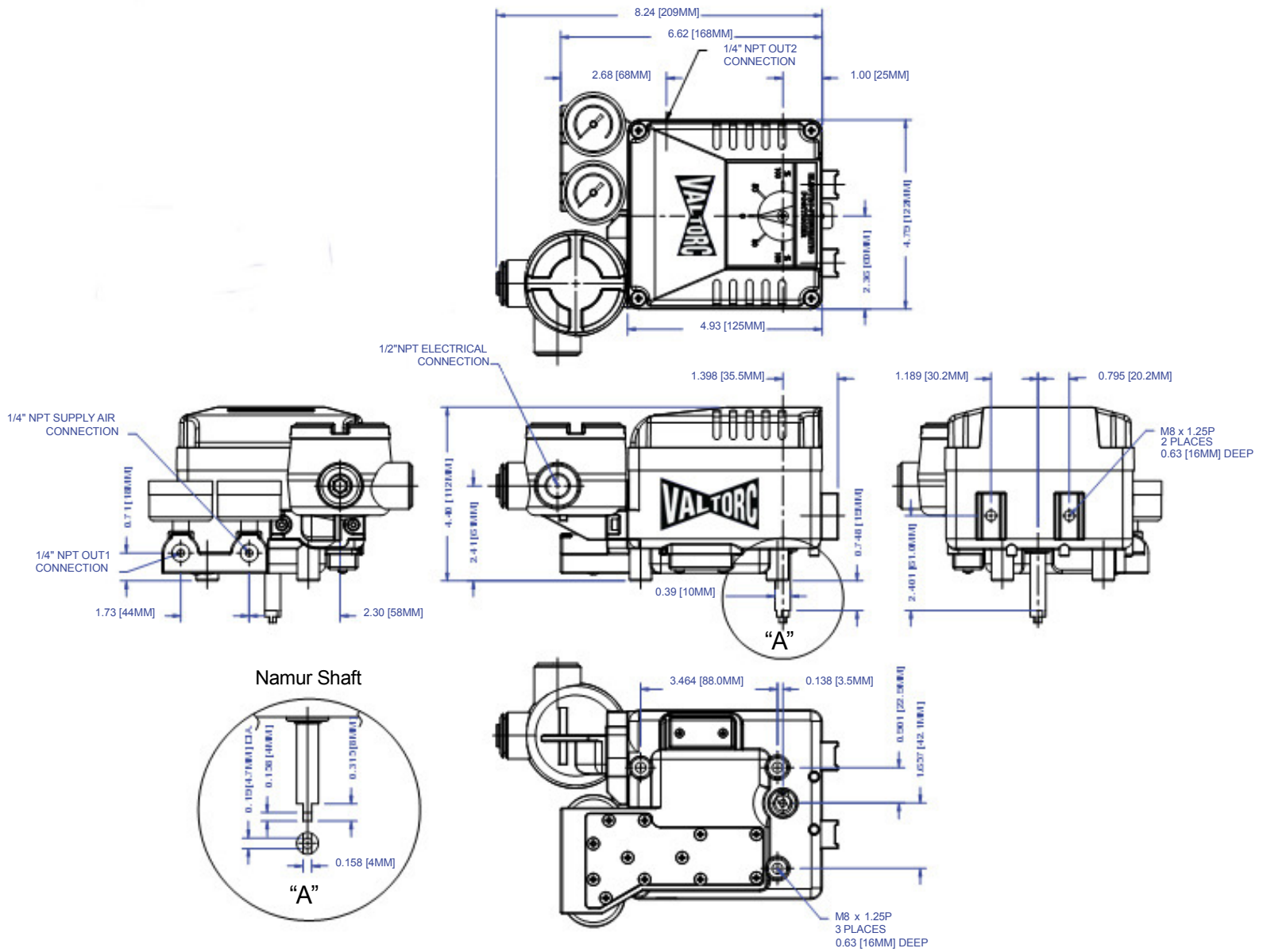
Specifications

| Type Item | LIN | | ROT | |
|--------------------------------|--|--------|----------------------------|--------|
| | Linear Type (lever feedback) | | Rotary Type (cam feedback) | |
| | Single | Double | Single | Double |
| Input Signal | 4...20 mA DC (NOTE 1) | | | |
| Input Resistance | 235±15 | | | |
| Supply Air Pressure | Max.100 psi (7.0 kgf/cm ²) | | | |
| Standard Stroke | 10-80mm (NOTE 2) | | 60-100° (NOTE 3) | |
| Air Piping Connection | 1/4" NPT | | | |
| Conduit Connection | 1/2" NPT | | | |
| Explosion-Proof Classification | Exmd II BT6, Exmd II C(H ₂)T6, IP66, Exia II BT6 | | | |
| Ambient Temperature | -4 -158°F | | | |
| Pressure Gauge | Stainless Steel | | | |
| Output Characteristics | Linear | | | |
| Linearity | Within ±1.0% F.S. | | Within ±1.5% F.S. | |
| Sensitivity | Within 0.1% F.S. | | Within 0.5% F.S. | |
| Hysteresis | Within 0.5% F.S. | | Within 1.0% F.S. | |
| Repeatability | Within ±0.5% F.S. | | | |
| Air Consumption | .18 CFM @ 20 psi | | | |
| Flow Capacity | 2.83 CFM @ 20 psi | | | |
| Material | Aluminum Diecast Body | | | |
| Weight | 6.5 lbs. with a terminal box | | | |

NOTE: 1) 1/2 split range can be adjusted

2) Feedback lever for stroke 80-150mm is available (LIN)

3) Stroke can be adjusted to 0°-60° or 0°-100° (ROT)



Call 1-866-VALTORC for LIN (Linear) dimensional info.

Available Models*

| | |
|----------|--|
| ROT-900A | VALTORC 4-20mA Electro- Pneumatic Positioner |
| ROT-900B | VALTORC 4-20mA Electro-Pneumatic Positioner with (2) spdt limit switches |
| ROT-900C | VALTORC 4-20mA Electro-Pneumatic Positioner with 4-20mA Transmitter |
| ROT-900D | VALTORC Electro-Pneumatic Positioner with 4-20mA Transmitter and (2) spdt Limit Switches |

*Models are not in stock, please call in advance for order information