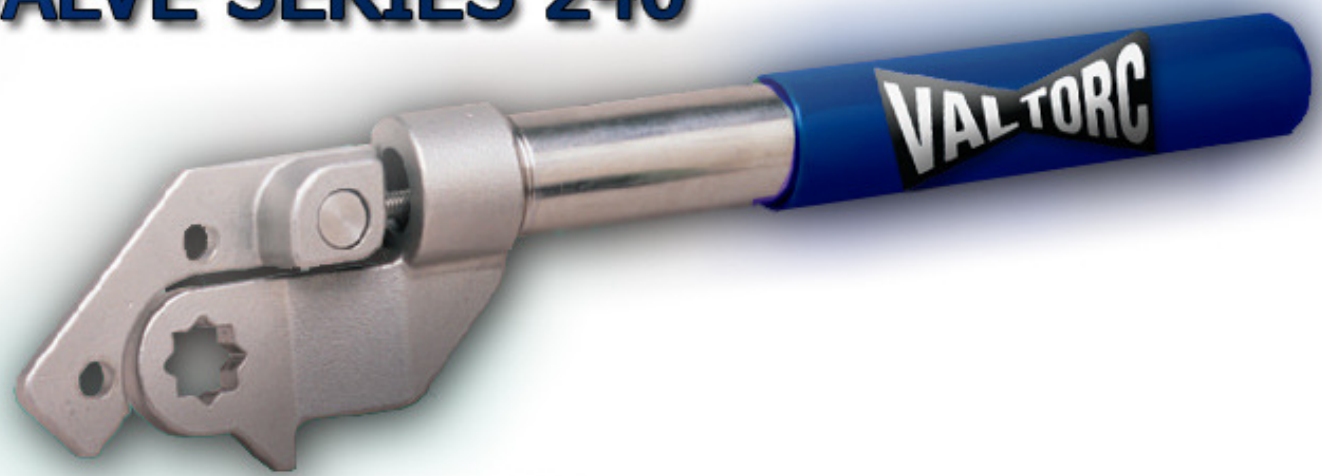
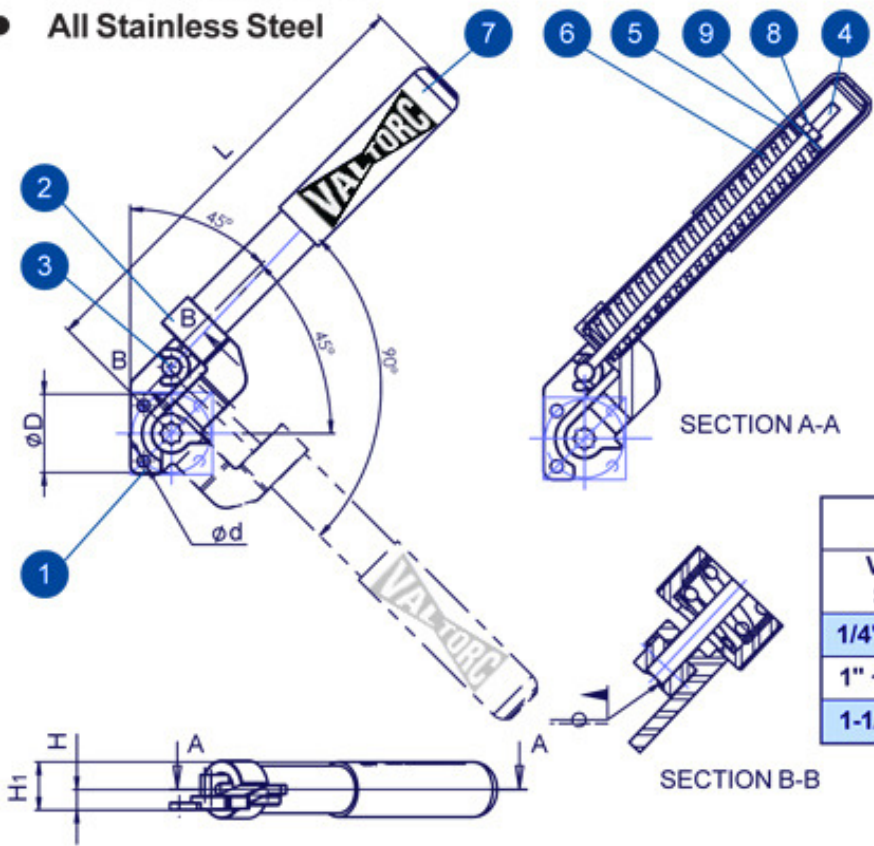


SPRING RETURN HANDLE BALL VALVE SERIES 240



Standard Features and Benefits

- Adjustable Torque
- Encapsulated Spring for Safety
- Valve Sizes: 1/4" to 2"
- All Stainless Steel



Valve Components			
#	Part Name	Material	Qty
1	S-2-Base	304SS	1
2	S-1-Adapter	304SS	1
3	S-3-Pin	304SS	1
4	S-4-LinkBar	304SS	1
5	S-7-TubeHandle	304SS	1
6	S-9-Spring-Close	ASTM A229	1
7	S-8-TubeHandleSleeve	Vinyl	1
8	S18.2.4.1M - Hex Nut, Style 1, S6 x 1 D-C	304SS	1
9	S18.22 S - Plain Washer, 6mm, wide	304SS	1

Dimensions (Inches)							
Valve Size	L	D	d	H	H ₁	ISO 5211 Pattern	Wt. (lbs)
1/4" ~ 3/4"	9.33	1.65	0.22	1.01	0.43	F04	1.07
1" ~ 1-1/4"	9.35	1.97	0.27	1.07	0.50	F05	1.19
1-1/2" ~ 2"	11.91	2.76	0.35	1.15	0.57	F07	1.61