

# IRON BODY KNIFE GATE VALVES

**HEAVY DUTY** cast ductile iron body and yoke for the most rugged service.

Through bolting on side flange bolts allow easy installation.

Replaceable natural rubber seat provides a **BI-DIRECTIONAL BUBBLE TIGHT SEAL** across gate from 0 to 150 PSI. Seat is quick and easy to replace.

**SEAT IS FLUSH** with the bottom of the port **ELIMINATING** pockets in the bottom of the valve that may collect material in media such as slurries, pellets or powders.

Rubber seat has a **MOLDED-IN STEEL REINFORCEMENT** and is bolted in place to prevent shifting out of position by gate movement.

**EASY CONVERSION** from handwheel operator to hydraulic or pneumatic cylinder, bevel gear, chainwheel, electric motor, or fail safe spring cylinder operator using existing cast yoke.

**ENCLOSED BRASS STEM BUSHING** provides reduced operating torque and protection of the stem bushing from harsh environments.

**FULL PACKING SEAL** around gate minimizes packing leakage.

**MSS SP-81** face-to-face dimension and flange dimensions. **FULL PORT ID.**

Minimum **4 BOLT PACKING GLAND** to assure proper gland alignment in all valve sizes.

Entire valve (**INSIDE AND OUTSIDE**) coated with an **EPOXY POWDER COATING** to provide corrosion resistance.

## DUCTILE IRON BODY KNIFE GATE VALVE



### Used in these industries:

Mining      Waste Water  
Power      Petroleum  
Chemical    Pulp & Paper  
Food Processing

# DUCTILE IRON BODY KNIFE GATE VALVE

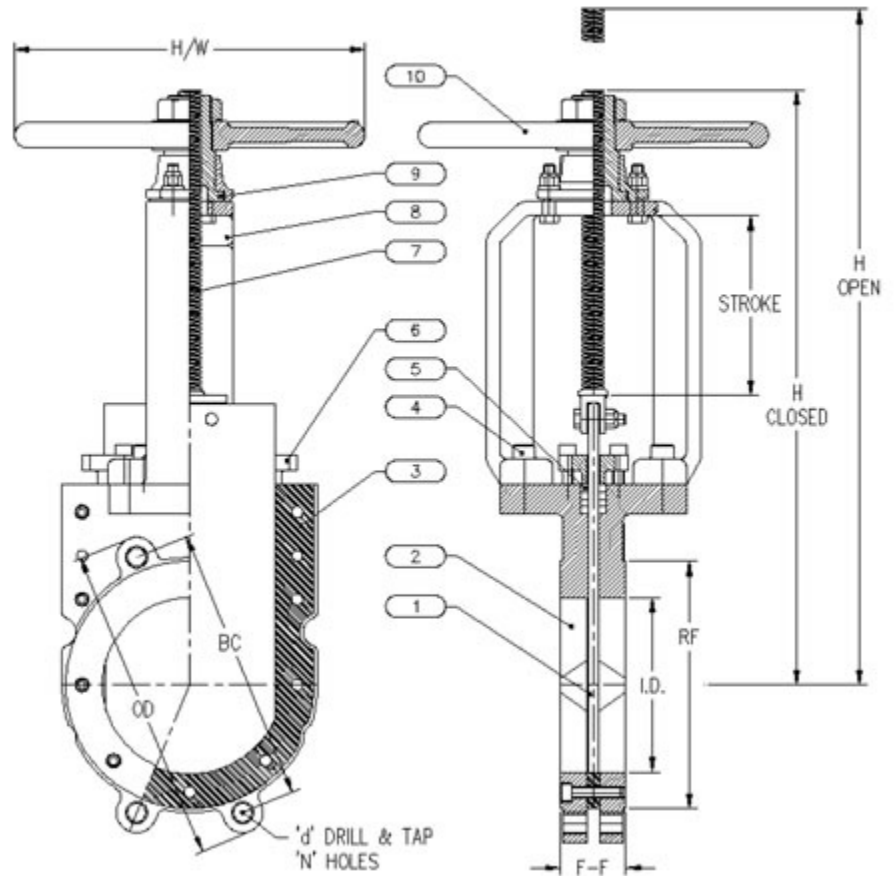
## MATERIALS OF CONSTRUCTION

1 GATE	SS
2 BODY	DI
3 SEAT	NATURAL RUBBER*
4 BOLTS	PLATED
5 PACKING	TLSP**
6 GLAND	DI
7 STEM	SS
8 YOKE	DI
9 STEM NUT	BRASS

\* Buna and EPDM seats also available

\*\* TLSP = TFE Lubricated Synthetic Packing

Normally supplied with handwheel for manual operation, but can be modified for lever, chainwheel, bevel gear, hydraulic or pneumatic cylinder, electric motor, or fail safe spring cylinder operator.



## DIMENSIONS (INCHES) AND WEIGHTS

	SIZE	2	3	4	6	8	10	12	14	16	18	20	24
FACE-TO-FACE	F-F	1-7/8	2	2	2-1/4	2-3/4	2-3/4	3	3	3-1/2	3-1/2	3-1/2	4
FLANGE OD	OD	6	7-1/2	9	11	13-1/2	16	19	21	23-1/2	25	27-1/2	32
BOLT CIRCLE	BC	4-3/4	6	7-1/2	9-1/2	11-3/4	14-1/4	17	18-3/4	21-1/4	22-3/4	25	29-1/2
FLANGE RAISED FACE	RF	4	5	6-3/16	8-1/2	10-5/8	12-3/4	15	16-1/4	18-1/2	- FLAT FACE FLANGE		
INSIDE DIAMETER	ID	2	3	4	6	8	10	12	14	15-1/2	17-1/4	19-1/4	23-1/4
NO. OF BOLT HOLES	N	4	4	8	8	8	12	12	12	16	16	20	20
HOLE D&T SIZE	d	5/8"-11	5/8"-11	5/8"-11	3/4"-10	3/4"-10	7/8"-9	7/8"-9	1"-8	1"-8	1-1/8"-7	1-1/8"-7	1-1/4"-7
C/L TO TOP-CLOSED	H-CLS	13	14-1/4	16-1/4	20-1/8	24-1/4	28-1/2	34-1/2	40	44	47-3/8	51	58-1/4
C/L TO TOP-OPEN	H-OPN	15	17-1/2	20-1/2	26-1/2	32-1/2	38-3/4	47	54-1/4	56-1/4	64	72-1/4	82-1/4
HANDWHEEL DIA.	H/W	8	8	8	12	12	16	16	24	24	24	24	24
WEIGHT - LB'S	WT	19	29	46	75	118	180	295	345	455	545	800	1050