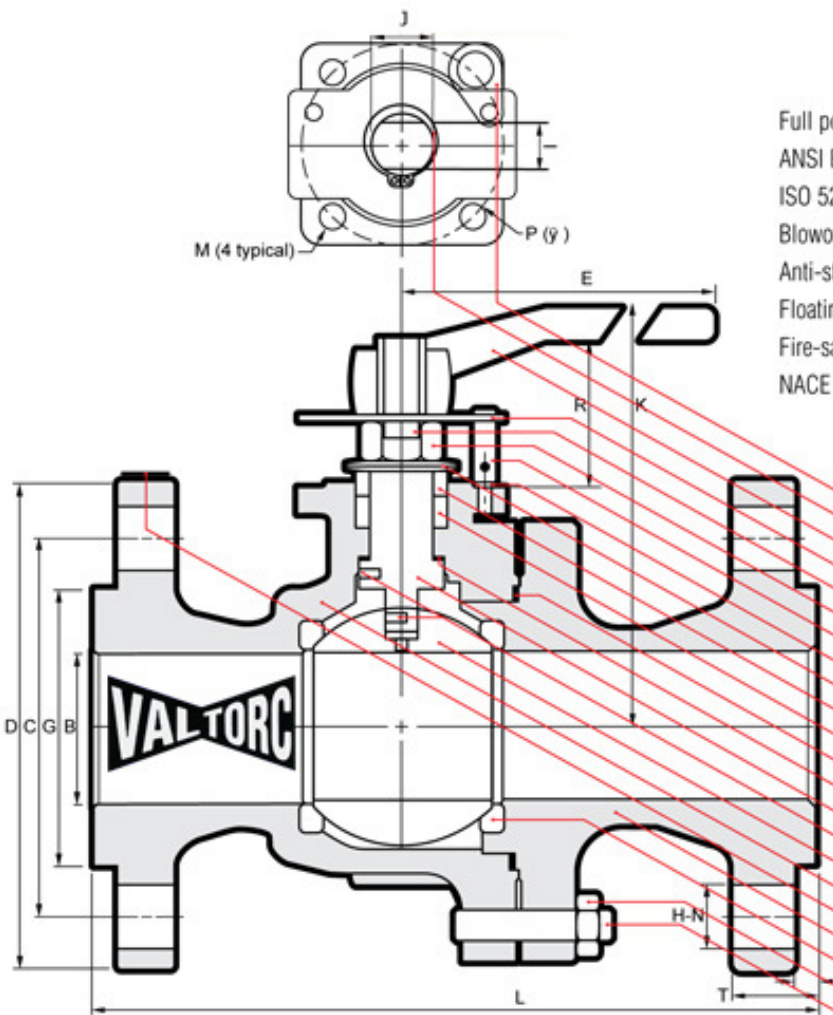


SERIES 400 BALL VALVES 600#



- Full port, Two piece body
- ANSI B16.34 Class 600
- ISO 5211 Mounting pad
- Blowout-proof stem
- Anti-static device
- Floating Ball
- Fire-safe design
- NACE MR-01-75 compliant

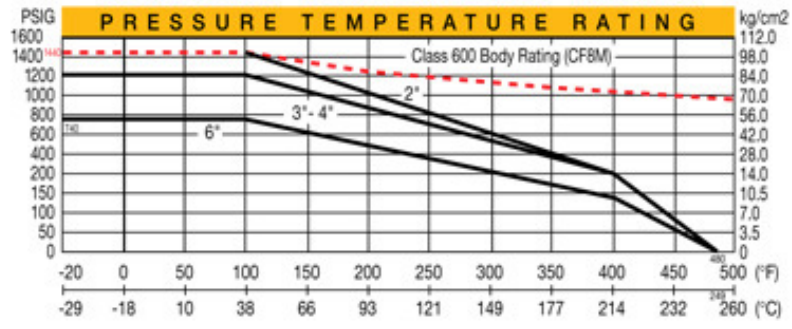
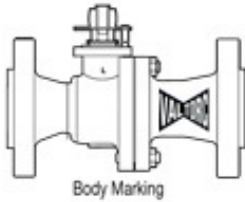


NAME / MATERIAL

Model Code:	SS	*FS
1. Lock Plate / SS 304 - A276		
2. Retaining Ring / Carbon Steel		
3. Handle / Ductile Iron		
4. Stopper Plate / SS 304 - A276		
5. Lock Washer / SS 304 - A276		
6. Gland Nut / SS 304 - A276		
7. Stopper Pin / SS 304 - A276		
8. Lock Washer / SS 304 - A276		
9. Belleville Washer / SS 301		
10. Gland / SS 304 - A276		
11. Packing / PTFE		(Graphite)
12. Body Seal / 304 + Graphite		
13. Thrust Washer / RPTFE 15% GFT		
14. Stem / Stainless Steel 316 - A276		
15. Anti-Static Device / SS 304 - A276		
16. Ball / A351 - CF8M		
17. Body / A351 - CF8M		
18. Identification Plate / SS 304 - A276		
19. Cap / A351 - CF8M		
20. Seat / PTFE +25% Carbon		
21. Bolt Nut / A194 Grade BMA		
22. Stud Bolt / A193 Grade B8M		

*Fire Safe Certified to API-607

FIG.	SERIES 400	CLASS	600	SIZE	2	B16.34
SEAT	C-PTFE-S	BODY	CF8M	TRIM	316	NACE
RATING	1440 PSIG AT 100°F/195 PSIG AT 400° MAX					



	D		I		M		E		N		S		I		O		N		S	Weight
size	B	C	D	E	F	G	H	I	J	K	L	M	N	P	T	R	ISO 5211	flange type	(kg/lb)	
	mm/in	mm/in	mm/in	mm/in	mm/in	mm/in	mm/in	mm/in	mm/in	mm/in	mm/in	in	mm/in	mm/in	mm/in	mm/in				
2"	50	127	165	230	6.35	92	19	14	20	158	292	5/16 UNC	8	70	31.8	49	F07		17.26	
	1.97	5.00	6.50	9.06	0.25	3.62	0.75	0.55	0.79	6.22	11.50			2.76	1.25	1.93				
3"	76	168	210	400	6.35	127	22.3	17	25	194	356	3/8 UNC	8	102	38.1	61	F10		39.25	
	3.00	6.61	8.27	15.75	0.25	5.00	0.88	0.67	0.98	7.64	14.02			4.02	1.50	2.40				
4"	100	216	273	460	6.35	157	25.4	23	34	215.5	432	1/2 UNC	8	125	44.5	73	F12		71.74	
	3.94	8.50	10.75	18.11	0.25	6.18	1.00	0.91	1.34	8.48	17.00			4.92	1.75	2.87				
6"	150	292	356	1000	6.35	216	28.5	27	40	301.5	559	5/8 UNC	12	140	54.1	90	F14		161.62	
	5.91	11.50	14.02	39.37	0.25	8.50	1.12	1.06	1.57	11.87	22.00			5.51	2.13	3.54				