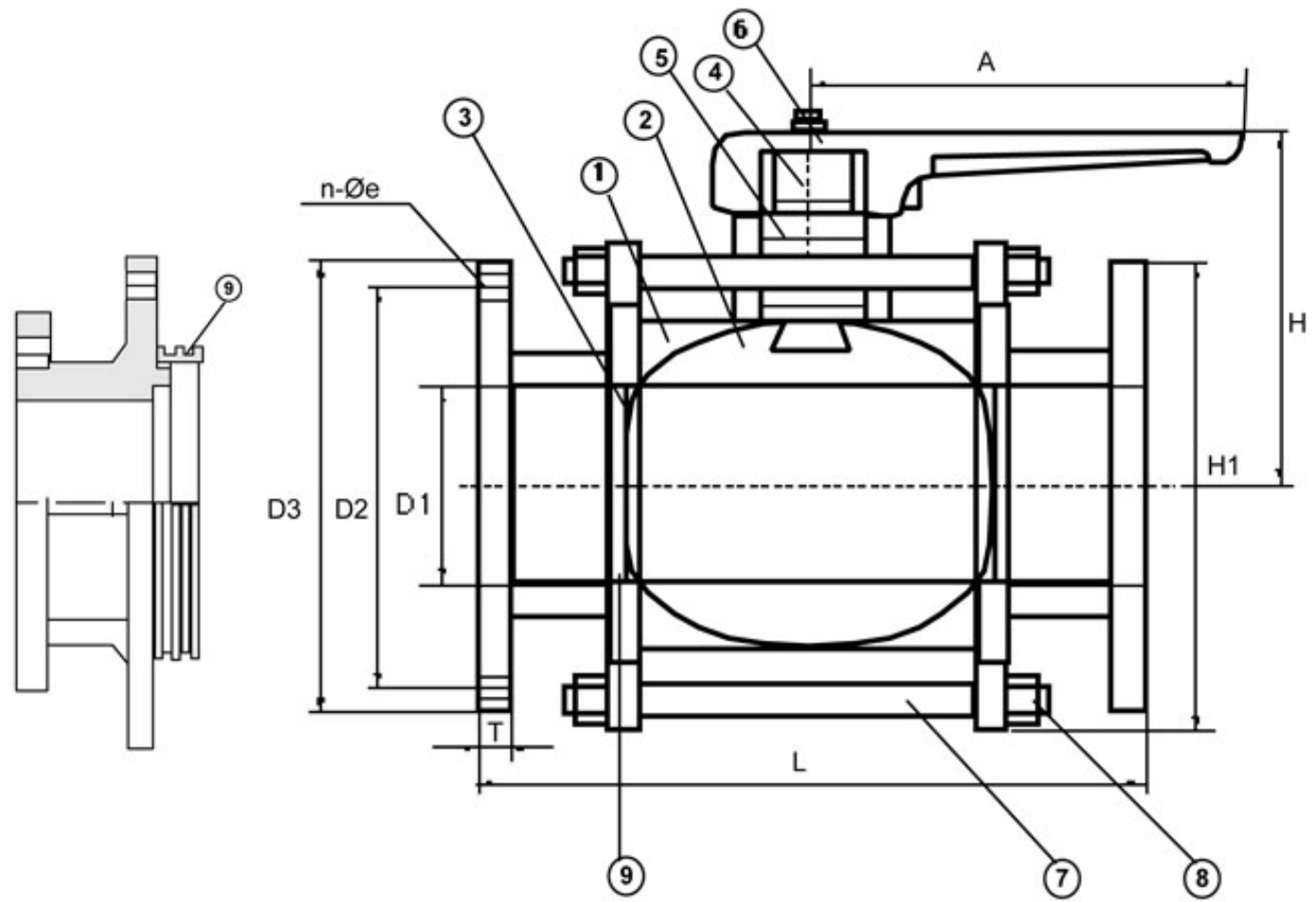


STRONG UNION BALL VALVE SIZE: 6"

SERIES PVC-360



Materials of Construction

Item	Parts	Pcs	Materials	Item	Parts	Pcs	Materials
1	Body	1	PVC,PP,PVDF	5	O-Ring	2	EPDM, VITON®
2	Ball	1	PVC,PP,PVDF	6	Handle	1	CAST IRON,EPOXY COATED
3	Seat	2	TEFLON®	7	Bolt	10 Sets	SUS 304
4	Shaft	1	PVC,PP,PVDF	8	Nut	10 Sets	SUS 304
VITON® and TEFLON® are trademarks of DuPont Performance Elastomers				9	O-Ring	4	EPDM,VITON®

Ansi Dimensions

Size Inch	D ₃	D ₂	D ₁	H	H ₁	L	n	e	T	A	*Test Press (PSI)	Working Press (PSI)
6"	11	9 1/2	5 7/8	8	12 1/8	15 1/2	8	.87	1/4	13	150	125

Testing performed with PVC body at 73°F water temperature, non-shock.
 *Test pressure, body hydrostatic.