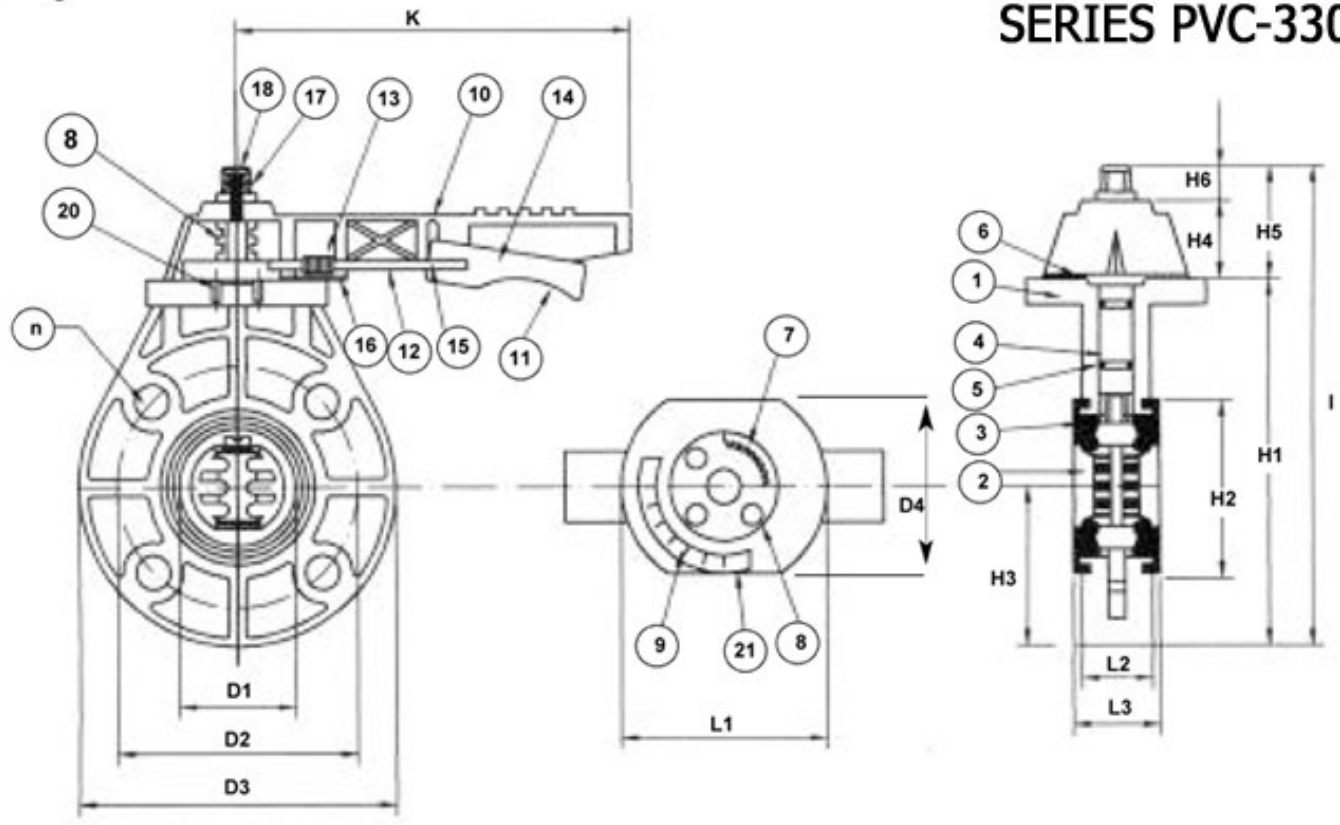


## WAFER STYLE UNIVERSAL BUTTERFLY VALVE

SIZE: 2" - 8"

### SERIES PVC-330



### Materials of Construction

Item	Parts	Pcs	Materials
1	Body	1	PVC, PP, PVDF, CPVC
2	Disc	1	PVC, PP, PVDF, CPVC
3	Seat	1	EPDM, VITON®, BUNA N
4	Stem	1	SUS 410, SUS 316
5	Stem O'ring	2	EPDM, VITON®, BUNA N
6	Washer	1	SUS 304
7	Positioner	1	SUS 304
8	Screw	3	SUS 304
9	Indicator	1	SUS 304
10	Handle	1	ABS
11	Lever	1	ABS

Item	Parts	Pcs	Materials
12	Lever	1	SUS 410
13	Spring	1	SUS 410
14	Setpin (Long)	1	SUS 410
15	Setpin (Short)	1	SUS 410
16	Handle Cap	1	ABS
17	Stem Bolt	1	PVC, PP, PVDF, CPVC
18	Cap	1	PVC Coated Brass
19	Handle Insert	1	Casting Parts
20	Bolt	1	Brass, SUS 304
21	Bolt	1	SUS 304

VITON® is a trademark of DuPont Performance Elastomers

### Ansi Dimensions

Nom. size DN-Inch	D1	D2	D3	D4	n	L1	L2	L3	H1	H2	H3	H4	H5	H6	I	K
50 - 2"	2.16	4.84	6.46	3.66	4	4.13	1.50	1.61	7.44	3.31	3.23	1.69	2.48	0.68	9.84	7.95
80 - 3"	3.17	5.97	7.72	3.74	4	5.00	1.65	1.77	8.70	4.59	3.86	1.69	2.48	0.68	11.14	7.97
100 - 4"	3.94	7.16	8.85	3.89	8	5.27	1.89	2.0	9.92	5.59	4.43	1.85	2.68	0.84	12.55	9.92
150 - 6"	5.98	9.44	11.26	3.96	8	6.67	2.20	2.13	12.63	7.74	5.63	2.21	3.39	1.0	16.02	11.69
200 - 8"	7.87	11.70	13.54	4.31	8	7.52	2.40	2.52	15.12	10.12	6.77	2.21	3.39	1.0	18.50	11.69