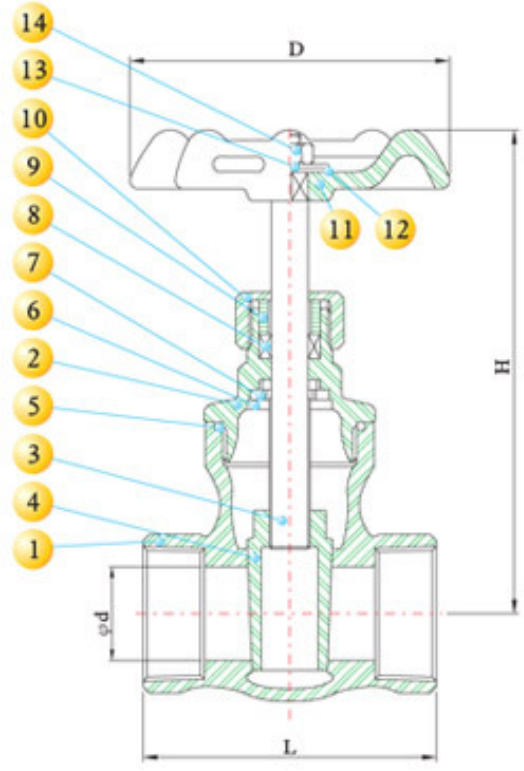


## DESIGN FEATURES:

- Non-Rising Stem
- Solid Wedge Disc
- Body: ASTM A351 Gr.CF8M
- DISC: ASTM A351 Gr.CF8M
- Seat: SS316
- Packing: PTFE
- Working Pressure: 200 psi
- TEST STANDARD: API 598
- End Connections: Threaded End
- Threaded Type:  
 ANSI B1.20.1 (NPT)  
 DIN 259/DIN 2999  
 ISO 228  
 BSP  
 PT

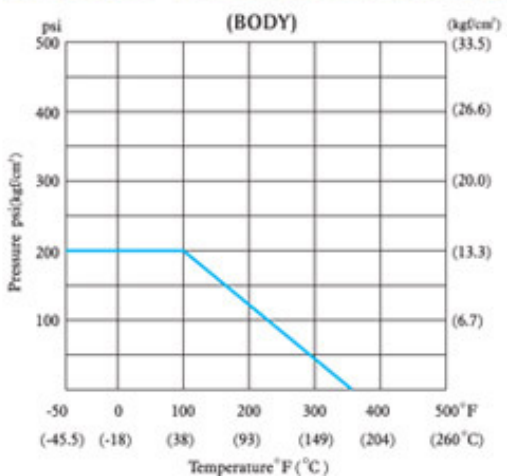
## GATE VALVE (THREADED) SERIES 402



## MATERIALS LIST

NO.	PART NAME	MATERIAL	QTY
1	BODY	ASTM A351 Gr.CF8M	1
2	BONNET	ASTM A351 Gr.CF8M	1
3	STEM	ASTM A276 Gr.316	1
4	DISC	ASTM A351 Gr.CF8M	1
5	GASKET	PTFE	1
6	STOP RING	SS304	1
7	STEM HOLDER	SS316	1
8	STEM PACKING	PTFE	1
9	GLAND	SS304	1
10	GLAND NUT	SS316	1
11	HANDLE WHEEL	SS400	1
12	NAME PLATE	ALUMINUM	1
13	HANDLEWHEEL WASHER	SS304	1
14	HANDLEWHEEL NUT	SS304	1

## PRESSURE TEMPERATURE RATINGS



## DIMENSIONS

SIZE		d		D		H		L		Cv Factor	Weight	
inch	mm	inch	mm	inch	mm	inch	mm	inch	mm		Kg	Lb
1/2"	15	0.63	16.1	2.76	70.0	3.88	98.6	2.24	57.0	15	0.52	1.15
3/4"	20	0.80	20.3	2.76	70.0	4.06	103.0	2.38	60.5	37	0.63	1.39
1"	25	1.02	26.0	3.01	76.5	4.53	115.0	2.64	67.0	72	0.81	1.78
1 1/4"	32	1.25	31.8	3.01	76.5	5.04	128.0	2.99	76.0	110	1.18	2.60
1 1/2"	40	1.57	31.8	4.07	103.5	6.81	173.0	3.43	87.0	165	2.00	4.41
2"	50	1.98	50.3	4.76	121.0	7.44	189.0	3.74	95.0	320	2.82	6.21