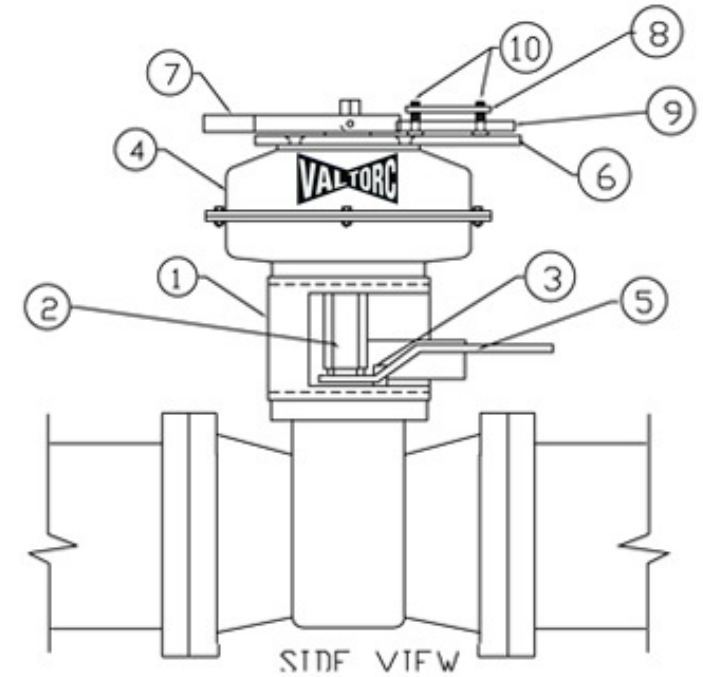
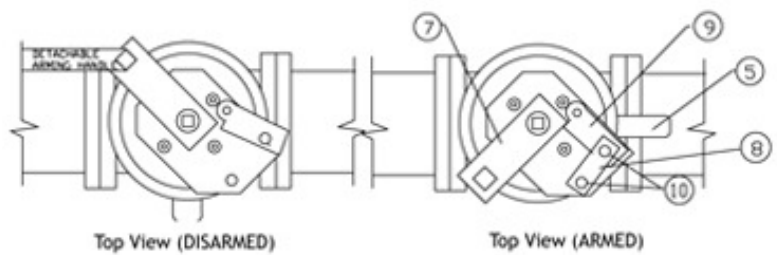




FUSELINK SERIES 40 FUSIBLE LINK PACKAGE

- PROVIDES AUTOMATIC CLOSURE IN EVENT OF FIRE
- VALVE CAN STILL BE OPERATED MANUALLY EVEN WHILE ARMED
- SOLDERED FUSIBLE LINKS AVAILABLE 135° F THROUGH 360° F
- API 607 FIRE SAFE VALVE AVAILABLE WITH ANSI FLANGES, SOCKET WELD OR NPT ENDS

FOR VALVES UP TO 830 INCH POUNDS OF TORQUE



1	valve mounting bracket	6	fusible link mounting plate
2	spring closing arm	7	arming lever
3	valve stop	8	safety link (for shipping only)
4	spring pack (079, 089 or 099)	9	lever retaining arm
5	valve handle	10	retaining studs

HEAVY DUTY SPRING PACK

The armed spring pack features weatherproof sealed spring housing and corrosion resistant epoxy paint. The reliable low stress clock springs assure quick closing action when the fusible links yield.

CUSTOMIZED MOUNTING HARDWARE

A heavy-duty gauge bracket and top plate provide the durable, secure construction that Valtorc products are known for. An all stainless bracket, coupling, arming plate and hardware kit also are available.

FACTORY ASSEMBLED

VALTORC fusible link assemblies are assembled by factory-trained personnel. The units then are armed with a protective safety link for shipping purposes.

RELIABLE FUSIBLE LINKS

VALTORC fusible links are designed to remain secure until releasing the spring pack when the desired temperature is reached. Soldered type fusible links are available in these temperature ranges:

LINK PART NUMBER	LINK YIELD TEMPERATURE	MAXIMUM AMBIENT TEMPERATURE
VT-005	135° F/57° C	104° F/41° C
VT-006	165° F/74° C	135° F/57° C
VT-007	212° F/100° C	185° F/82° C
VT-008	280° F/138° C	253° F/123° C
VT-009	360° F/182° C	330° F/166° C

Please consult factory for special order links