

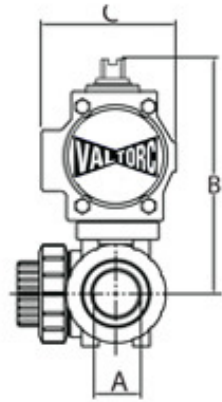
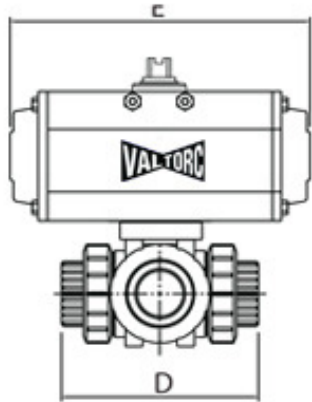
SERIES DM-08



- PVC and Polypropylene Ball Valves 1/2" through 2"
- L-Port or T-Port Configurations
- True Union Threaded/Socket Ends
- Electric and Pneumatic Actuators
- EPDM, Viton®, or Buna-N seal Options with TFE seats
- Integrally Molded Mounting Pad



PNEUMATIC ACTUATORS



DOUBLE ACTING

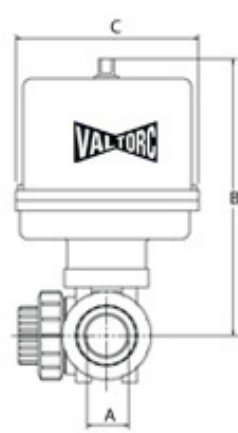
	1/2"	3/4"	1"	1-1/4"	1-1/2"	2"
B	6.03	6.23	6.39	6.54	7.62	7.81
C	1.77	1.77	1.77	1.77	2.80	2.80
D	4.25	5.04	5.67	6.81	7.76	7.92
E	4.33	4.33	4.33	4.33	5.49	5.49
F	0.89	0.89	0.89	0.89	1.61	1.61
ACT.	DA55	DA55	DA65	DA65	DA75	DA85
WT.	3.47	3.76	4.03	4.73	7.88	9.38

ALL STANDARD PNEUMATIC ACTUATORS SIZED FOR 80 PSI SUPPLY; PLEASE CONSULT OUR SALES STAFF FOR OTHER COMBINATIONS

SPRING RETURN

	1/2"	3/4"	1"	1-1/4"	1-1/2"	2"
B	6.47	6.67	6.83	6.89	8.05	8.24
C	2.80	2.80	2.80	2.80	3.17	3.17
D	4.25	5.04	5.67	6.81	7.76	7.92
E	5.49	5.49	5.49	5.49	6.38	6.38
F	1.61	1.61	1.61	1.61	1.77	1.77
ACT.	SR65	SR65	SR75	SR75	SR85	SR115
WT.	5.07	5.36	5.63	6.33	8.53	10.03

ELECTRIC ACTUATORS



	1/2"	3/4"	1"	1-1/4"	1-1/2"	2"
B	7.78	7.98	8.14	8.39	9.41	9.72
C	4.00	4.00	4.00	4.00	4.25	4.25
D	4.25	5.04	5.67	6.81	7.76	7.92
E	5.63	5.63	5.63	5.63	6.88	6.88
F	2.31	2.31	2.31	2.31	2.43	2.43
ACT.	EL600	EL600	EL600	EL600	EL600	EL600
WT.	7.42	7.71	7.98	8.68	11.58	14.08

ALL ELECTRIC ACTUATOR DIMENSIONS ARE FOR NEMA 4 ENCLOSURES. FOR NEMA 7 ENCLOSURE DIMENSIONS, PLEASE CONSULT OUR SALES STAFF.

BILL OF MATERIALS

PART #	NAME	MATERIAL	OPTIONAL MATERIAL	QTY
1	HANDLE	PVC	---	1
2	STEM O-RING	EPDM	BUNA-N VITON	1
3	STEM	PVC	POLYPROPYLENE	1
4	BODY	PVC	POLYPROPYLENE	1
5	BALL	PVC	POLYPROPYLENE	1
6	BODY O-RING	EPDM	BUNA-N VITON	3
7	BALL SEAT SUP- PORT	TFE	---	3
8	BALL SEAT	TFE	---	3
9	SOCKET O-RING	EPDM	BUNA-N VITON	3
10	UNION NUT	PVC	POLYPROPYLENE	3
11	END CONNECTOR	PVC	POLYPROPYLENE	3
12	END CONNECTOR O-RING	EPDM	BUNA-N VITON	3

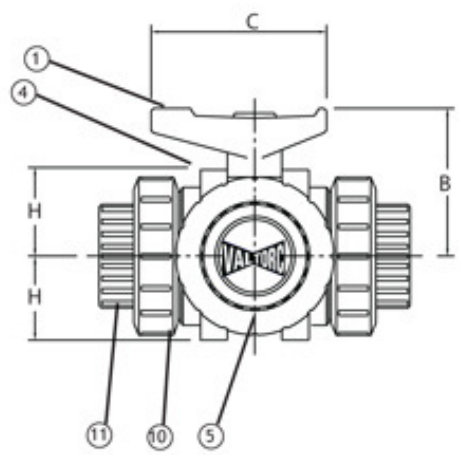
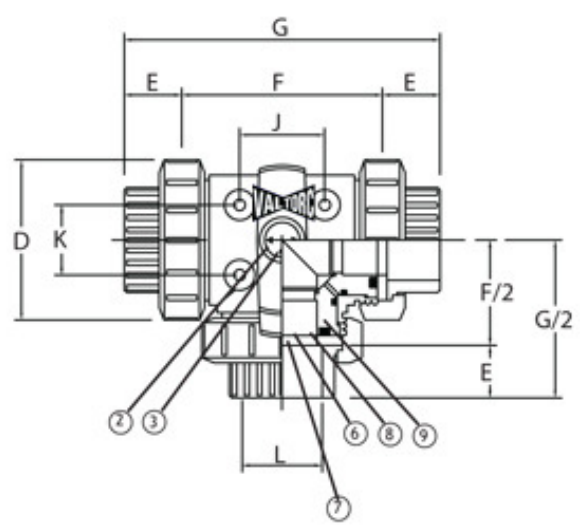
VALVE FEATURES

- 3-Way PVC and Polypropylene valves 1/2" through 2"
- TFE® seats and EPDM, BUNA-N or Viton® body o-rings
- True union style
- Threaded, socket or flanged ends
- 3-seat design ideal for automation

PRESSURE RATING
 150 PSI at 73° F to 2"
TEMPERATURE RATING
 varies with o-ring material

ACTUATOR FEATURES

- PNEUMATIC ACTUATORS**
- Rack and pinion design
 - Spring return or double acting
 - open and closed adjustment stops
 - true NAMUR accessory mounting
 - visual indicator
- ELECTRIC ACTUATORS**
- 120VAC, 220VAC, 24VAC, 12VDC, 24VDC
 - NEMA 4 and NEMA 7
 - Manual override
 - visual indicator



DIMENSIONAL DATA

SIZE	B	C	D	E	F	H	J	K	PSI	WEIGHT (LBS.)
1/2"	2.00	2.56	2.09	0.63	2.99	4.25	0.94	0.94	150	0.42
3/4"	2.36	2.99	2.44	0.75	3.54	5.04	0.98	1.22	150	0.71
1"	2.64	3.35	2.80	0.87	3.94	5.67	1.06	1.57	150	0.98
1-1/4"	2.95	3.94	3.31	1.02	4.76	6.81	1.26	1.61	150	1.68
1-1/2"	3.50	4.41	3.86	1.22	5.31	7.76	1.28	2.09	150	2.58
2"	4.13	5.39	4.61	1.50	6.57	8.12	1.38	2.28	150	4.08

ALL VALVES ARE 100% ELECTRONICALLY TESTED AT 80 psi IN BOTH THE OPEN AND CLOSED POSITIONS