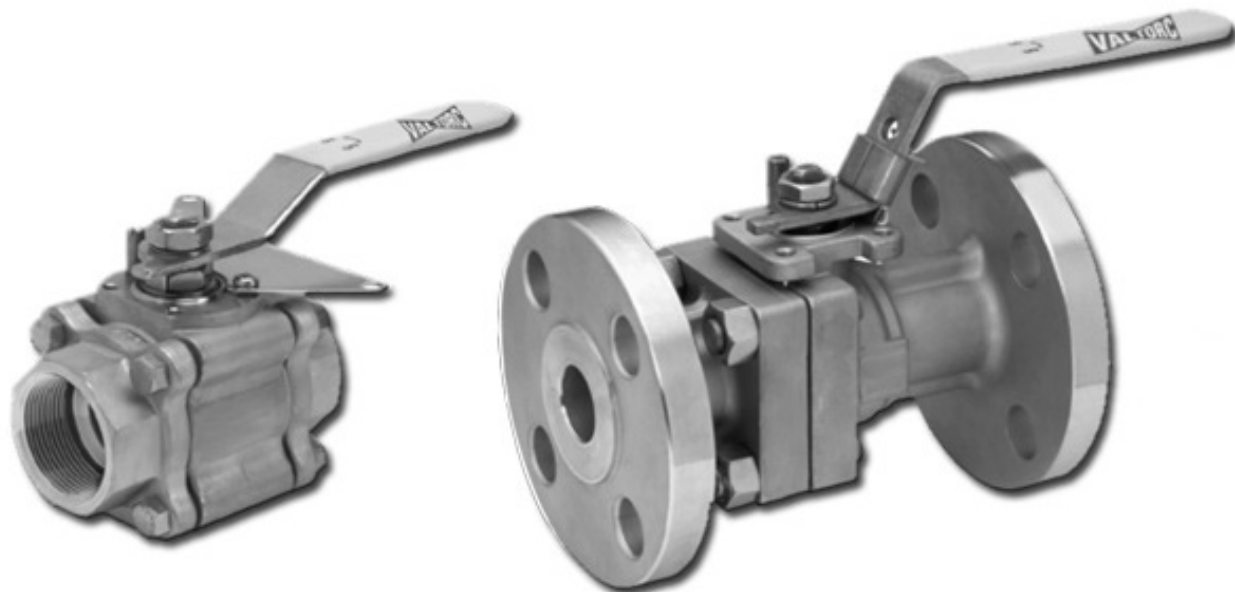


VALTORC METAL SEATED SERIES 370 BALL VALVES



Type A Seat Configuration:

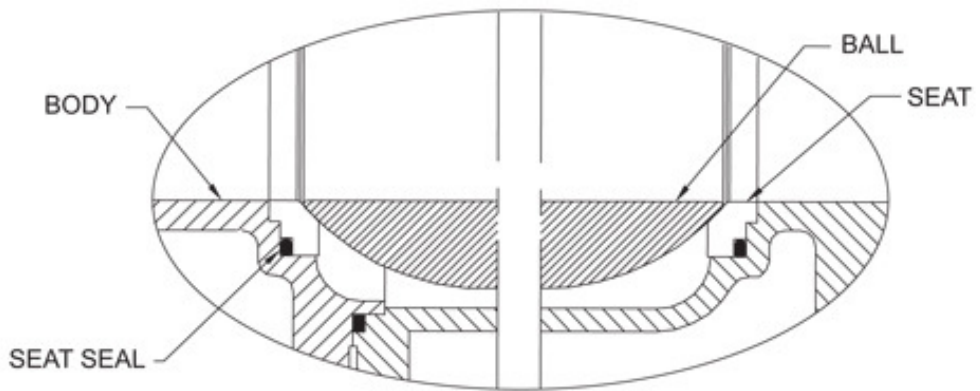
This configuration includes the standard metal seat with polymeric seat seals, body seals and stem packing. It is intended for use in highly abrasive or erosive applications where higher temperatures are not an issue. The service temperature limit for this configuration is 450°F (232.2°C).

Type B Configuration:

In this metal seat configuration the polymeric seals are replaced with die-formed flexible graphite seat seals and stem packing. The body seal is spiral wound SS316/flexible graphite. This configuration extends the temperature capability of the metal seated valves to 600°F (316°C), while retaining resistance to abrasion and erosion.

Type C Configuration:

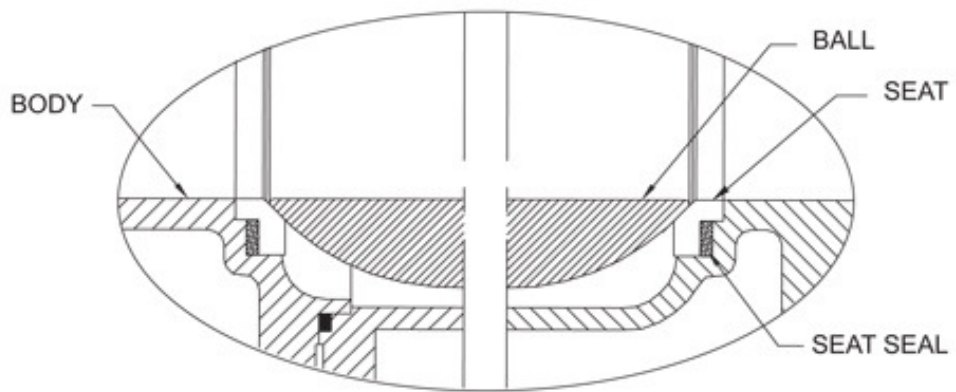
This arrangement utilizes a downstream metal seat with a flexible graphite seat seal, as in the Type B, with the upstream seat spring-loaded against the ball to assist in downstream sealing, and to provide compensation for thermal expansion effects at high temperatures. Type C configurations are therefore unidirectional, and a flow direction arrow is provided on the valve body. The Type C configuration is suitable for temperatures up to 1000°F (538°C), and is recommended for high temperature fluids and gases, and is suitable for saturated steam to 720 PSIG.



METAL SEAT - TYPE A

CLASS V/VI BI-DIRECTIONAL SHUTOFF
 STELLITE 6 HARDFACED SS 316 SEAT
 ELECTROLESS NICKEL COATED BALL
 POLYMERIC SEAT SEALS

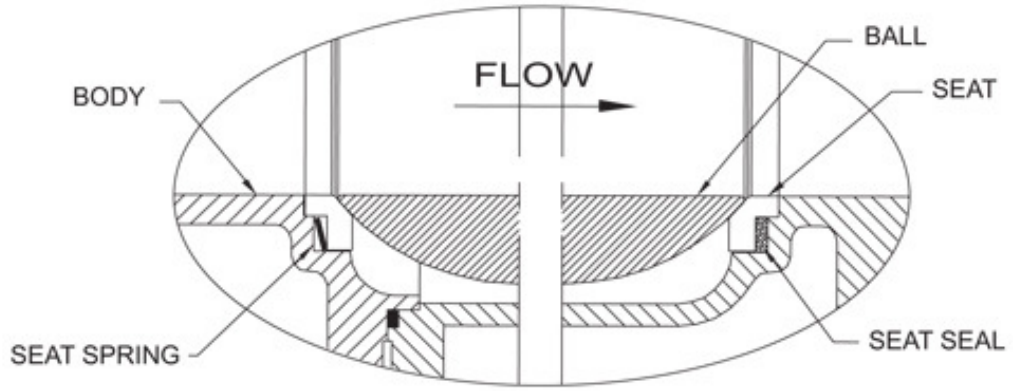
TEMPERATURES TO 450°F



METAL SEAT - TYPE B

CLASS V/VI BI-DIRECTIONAL SHUTOFF
 STELLITE 6 HARDFACED SS 316 SEAT
 ELECTROLESS NICKEL COATED BALL
 FLEXIBLE GRAPHITE SEALS

TEMPERATURES TO 600°F



METAL SEAT - TYPE C

SPRING LOADED, UNI-DIRECTIONAL SEAL
 STELLITE 6 HARDFACED SS 316 SEAT
 ELECTROLESS NICKEL COATED BALL
 FLEXIBLE GRAPHITE SEAL/INCONEL SPRING

TEMPERATURES TO 1000°F

Pressure Temperature Ratings Metal-seated Ball Valves

